

3D PRINTED
SCALE MODEL
Limited Edition

HYPER REALISTIC
CARTOON SERIES

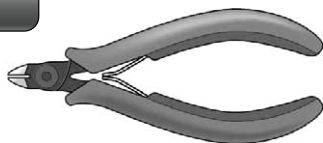
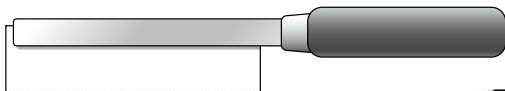
Joycraft
PRODUCTIONS



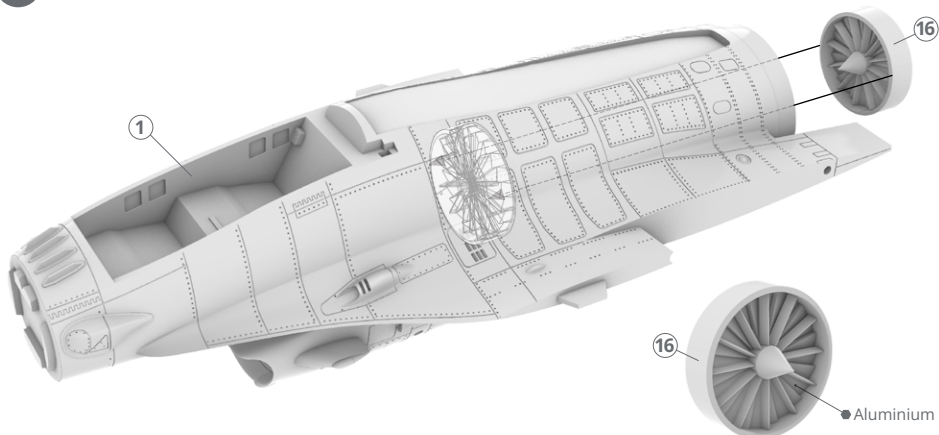
TINY
TOON

F-16I SUFA

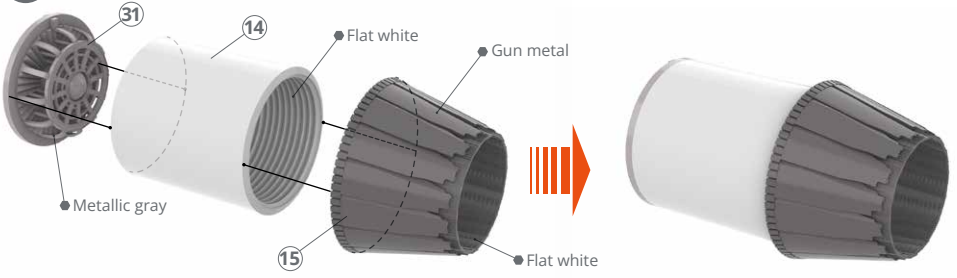
RECOMMENDED TOOLS



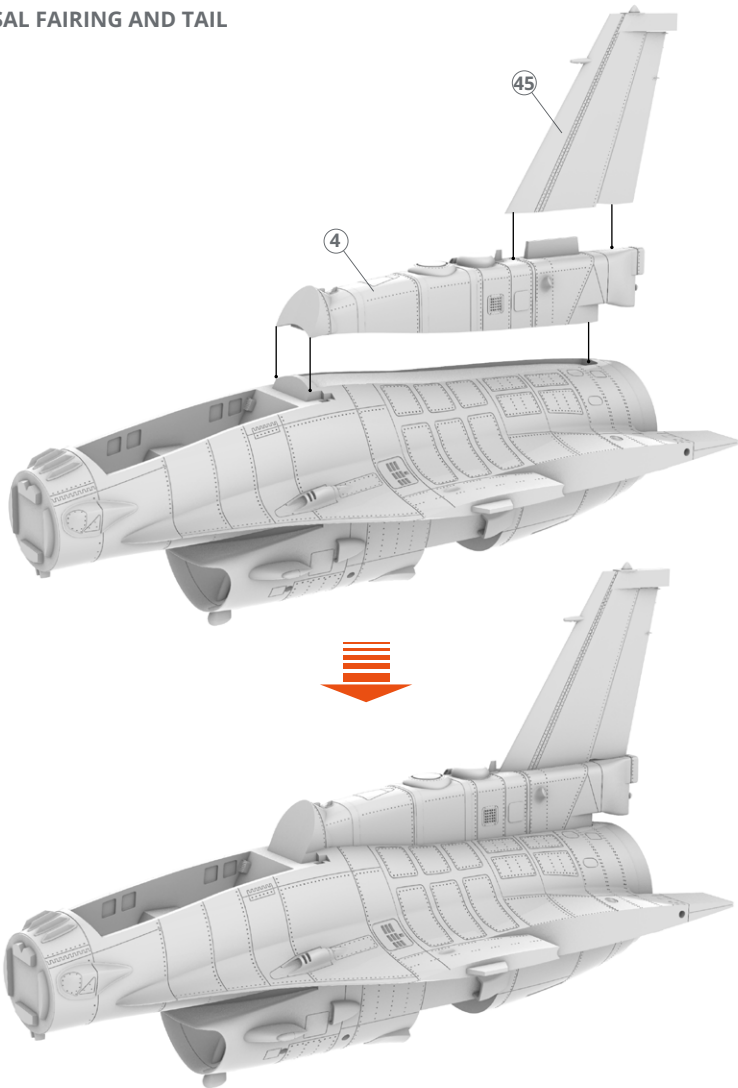
1 FUSELAGE



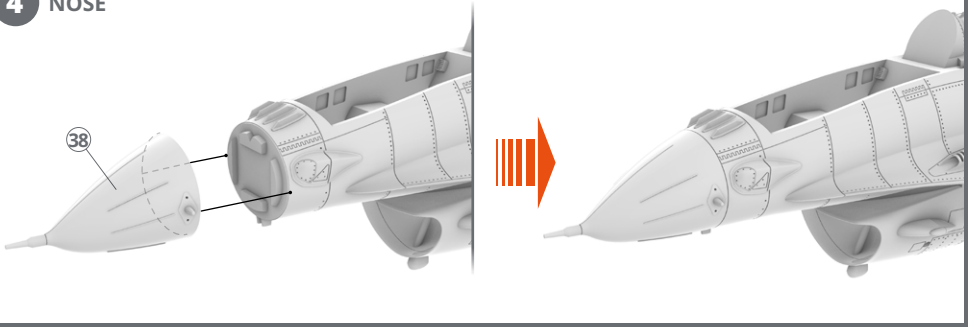
2 ENGINE



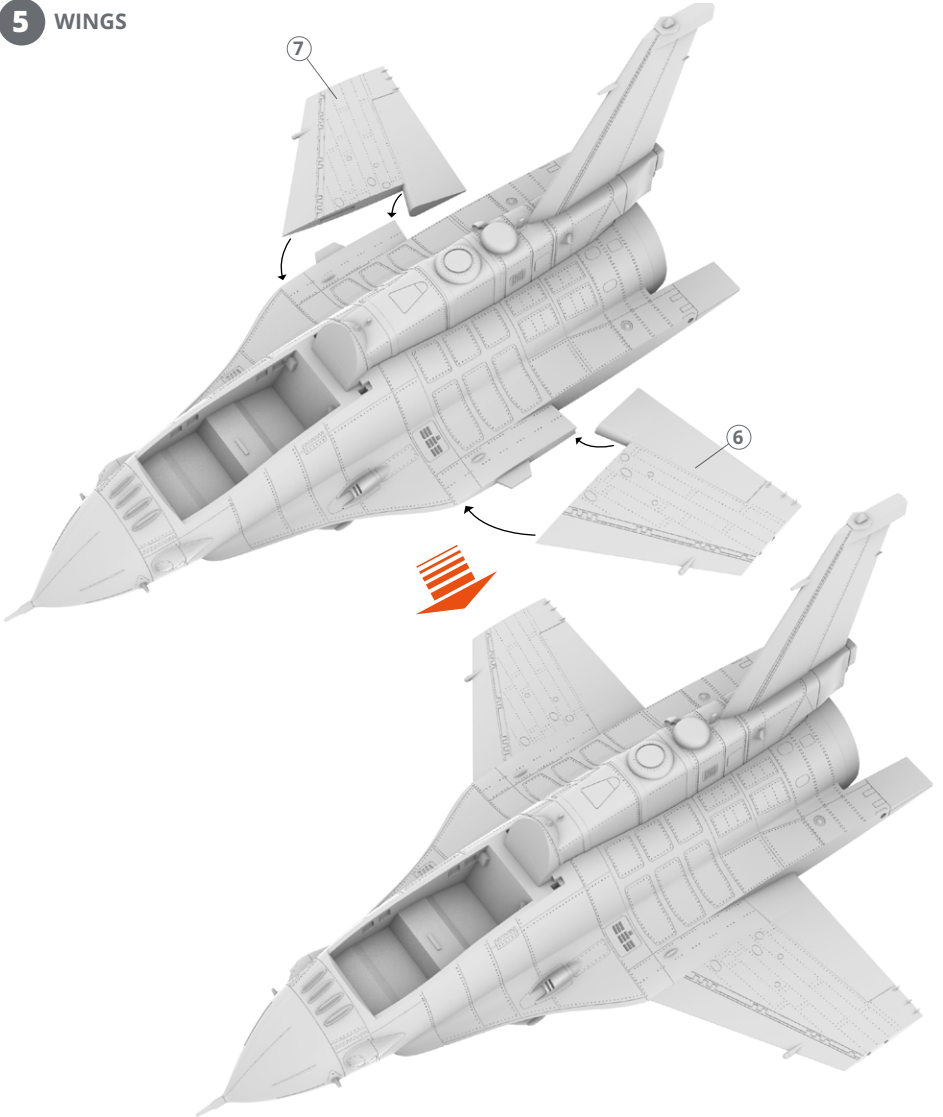
3 DORSAL FAIRING AND TAIL



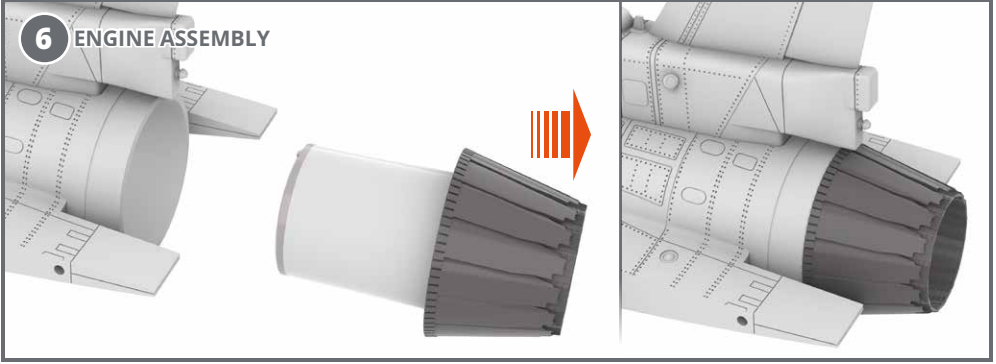
4 NOSE



5 WINGS



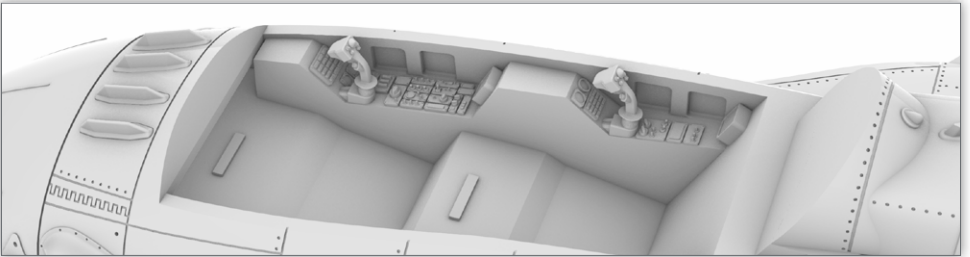
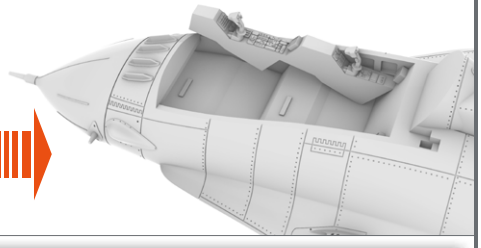
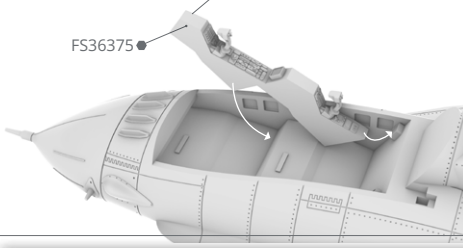
6 ENGINE ASSEMBLY



7 CONSOLES

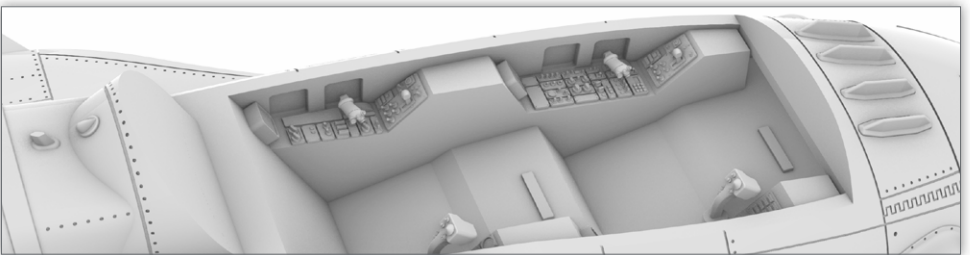
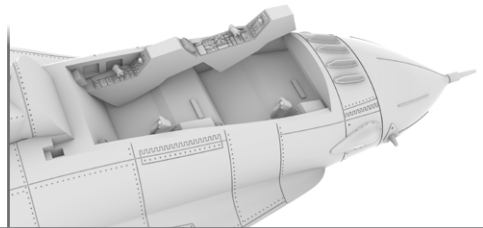
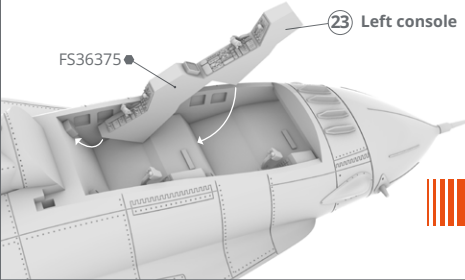
24 Right console

FS36375

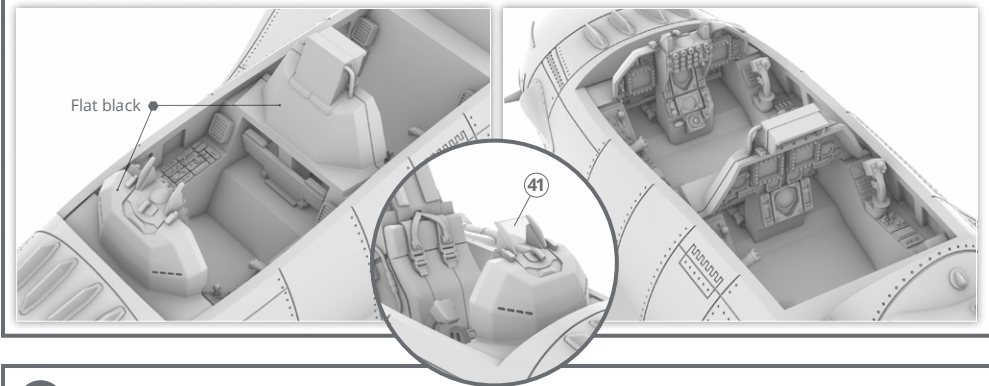
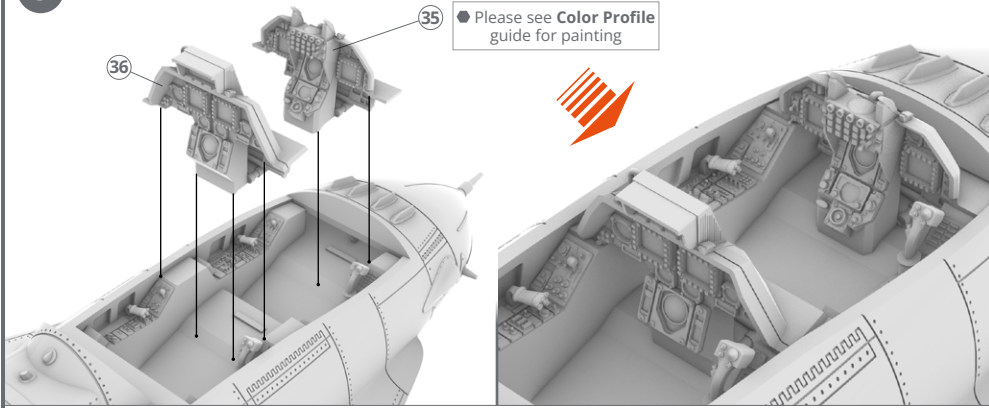


23 Left console

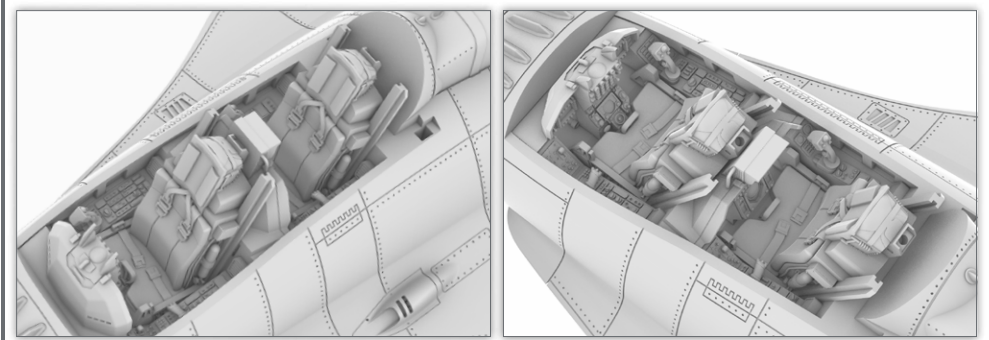
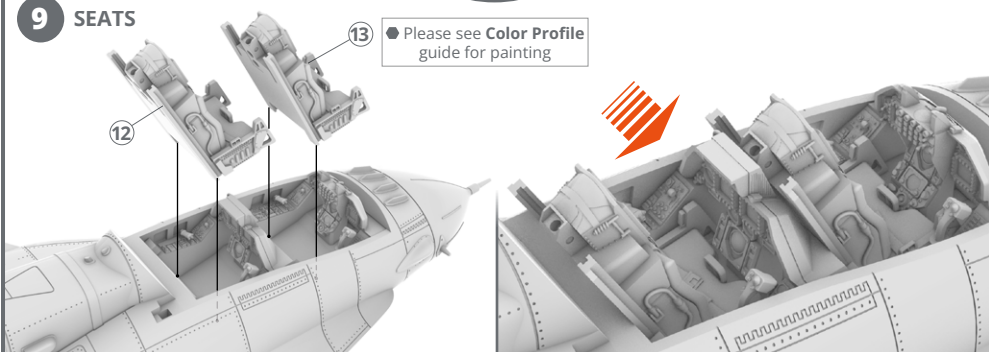
FS36375



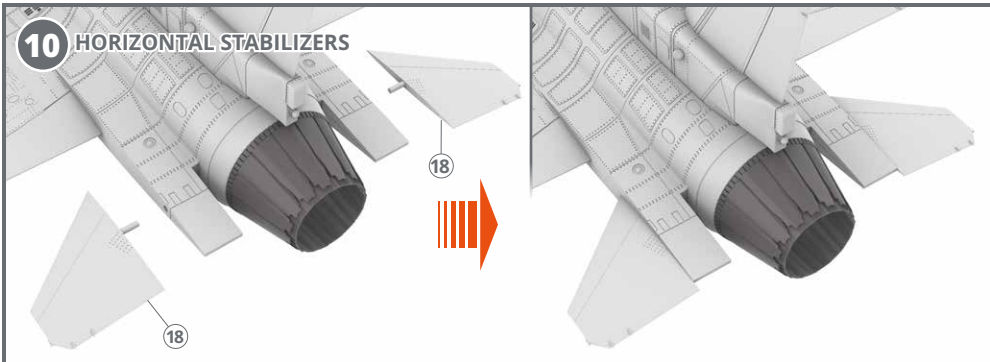
8 INSTRUMENT PANELS



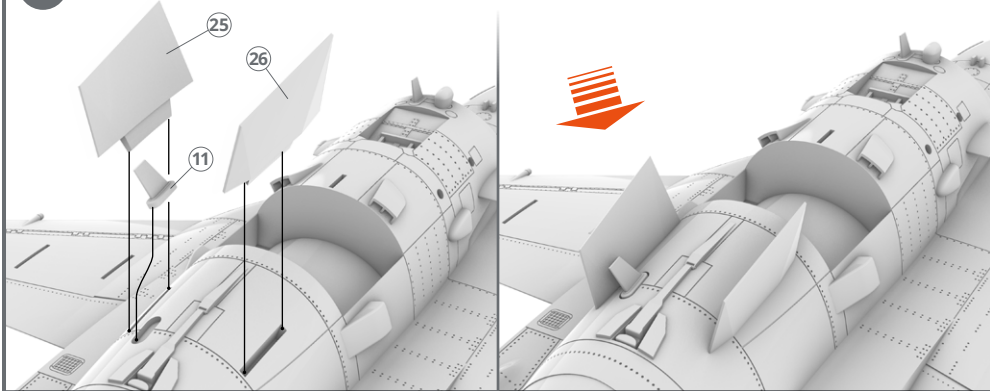
9 SEATS



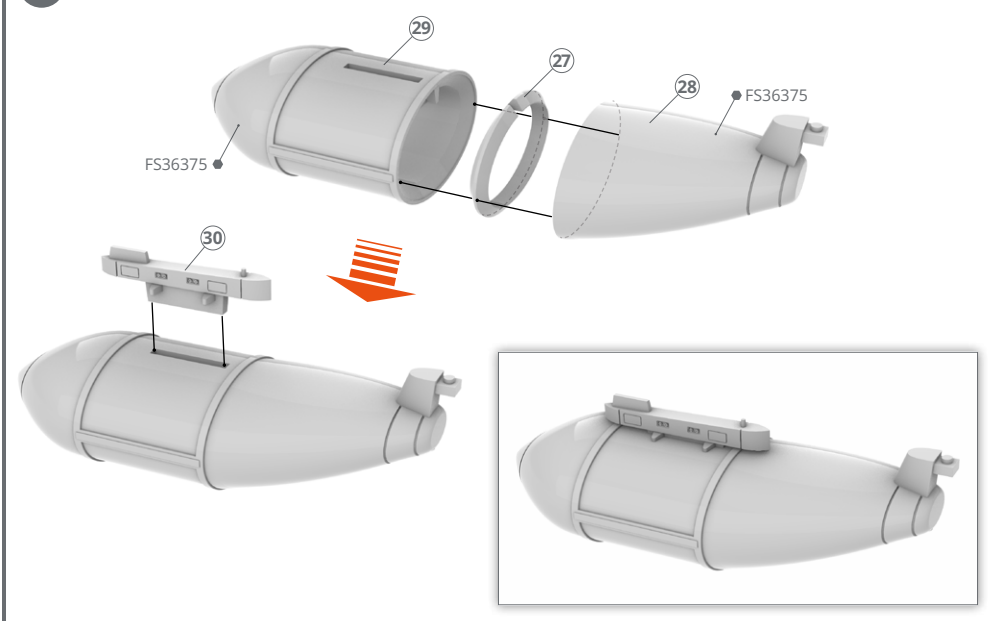
10 HORIZONTAL STABILIZERS



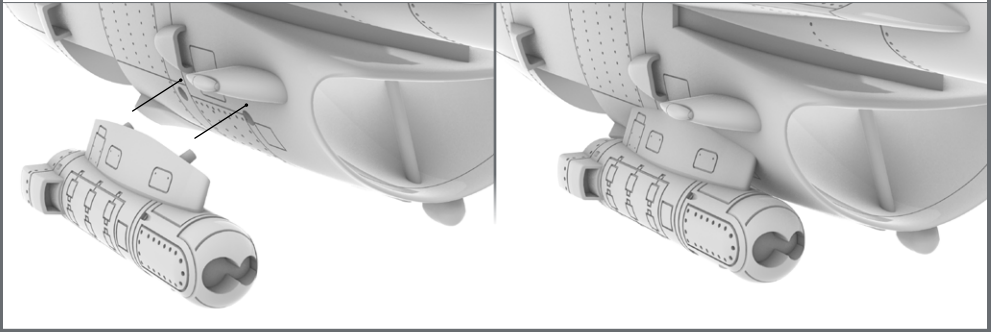
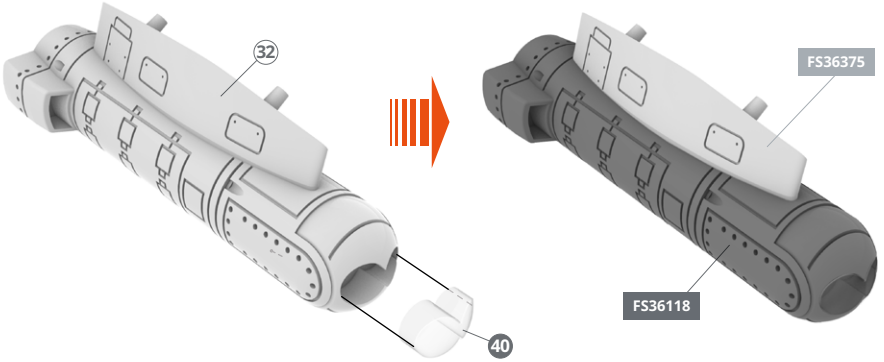
11 VENTRAL FIN AND REAR LOWER ANTENNA



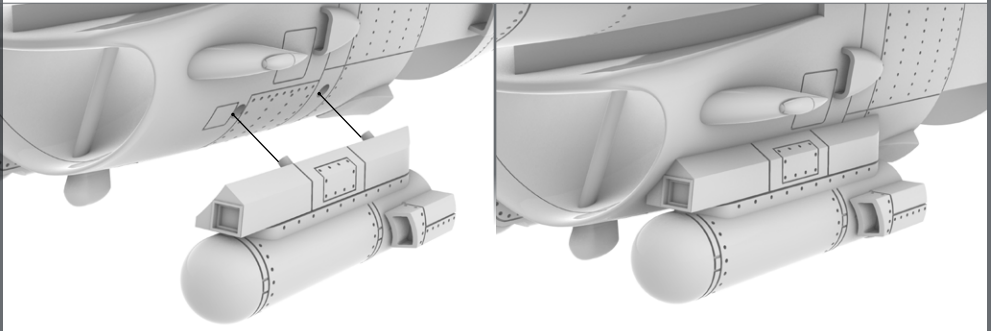
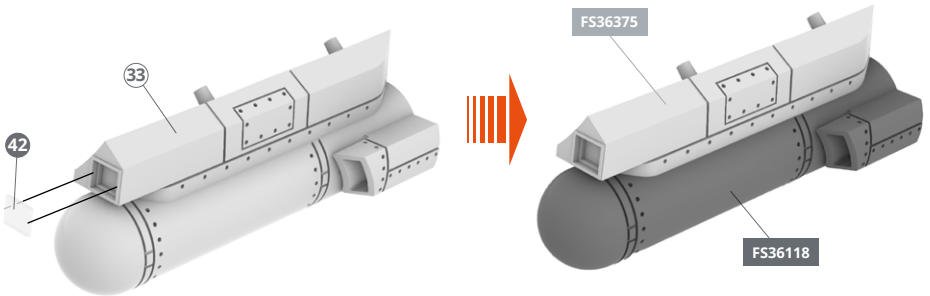
12 CENTERLINE TANK



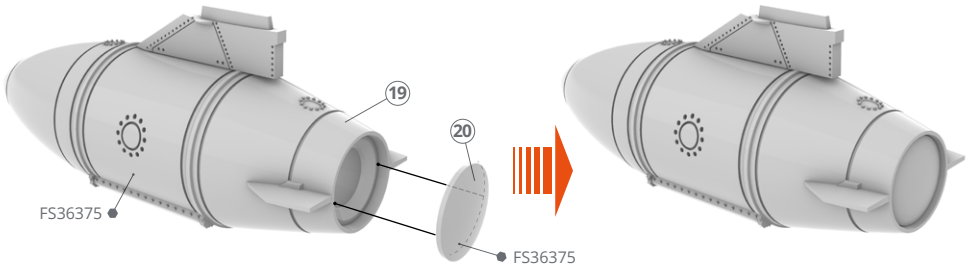
13 LITENING II TARGETING POD



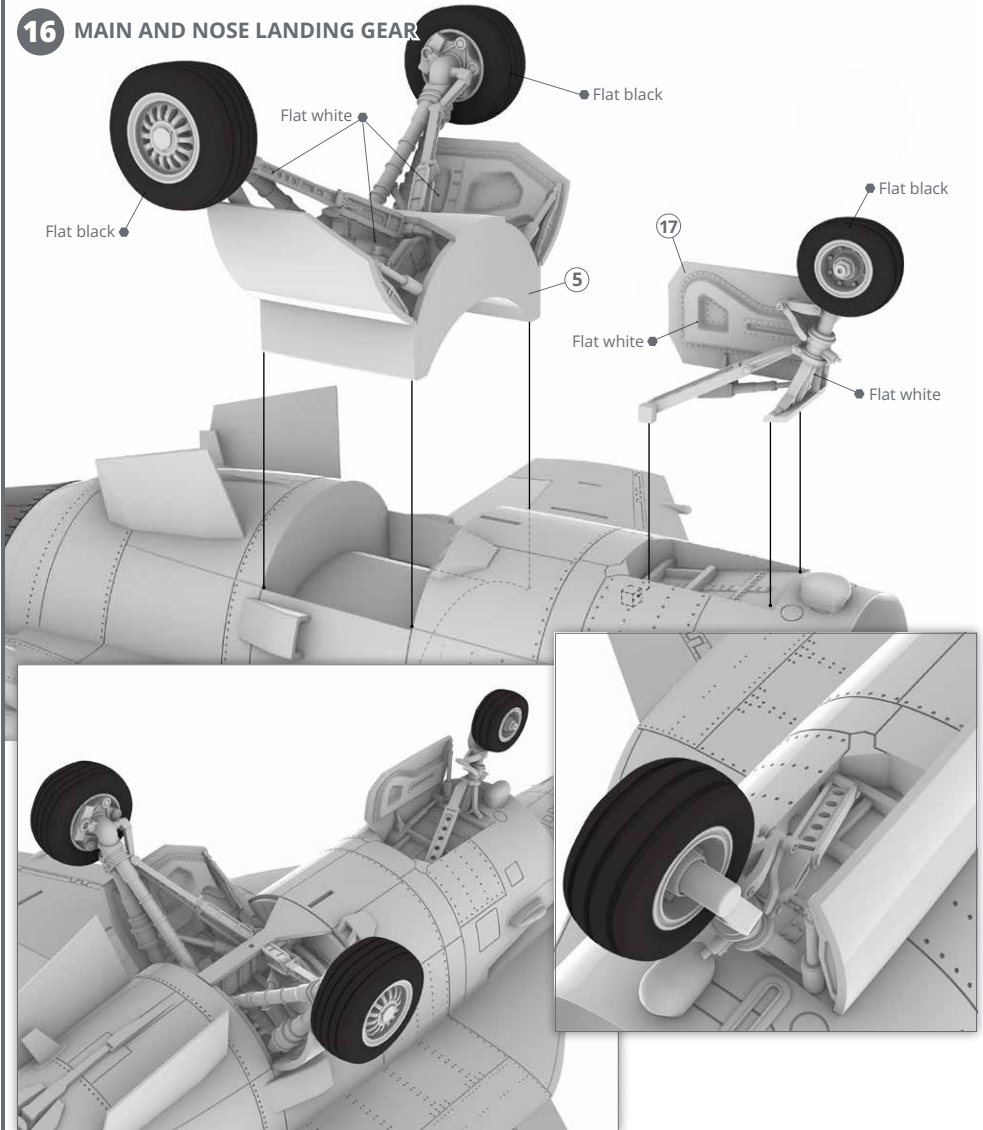
14 LANTIRN_AN/AAQ-13



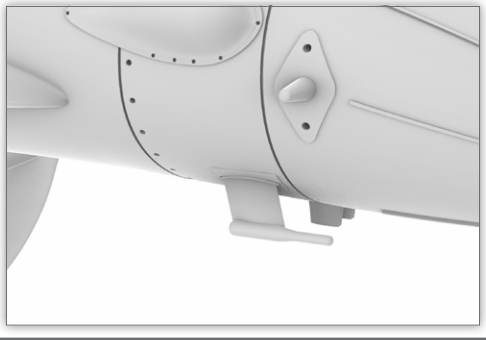
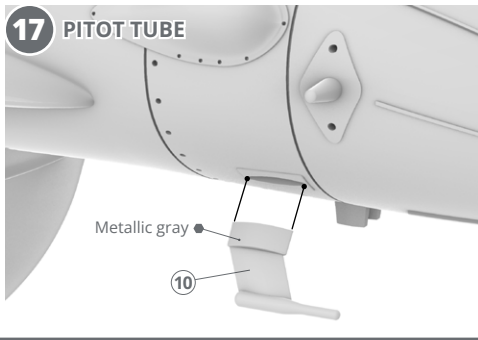
15 WING TANK (2X)



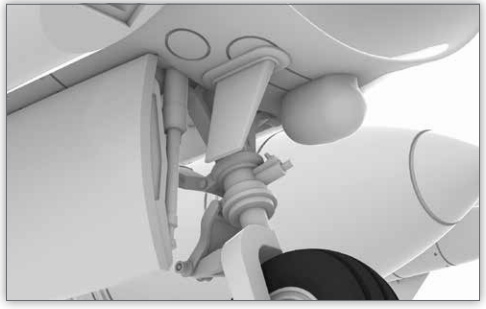
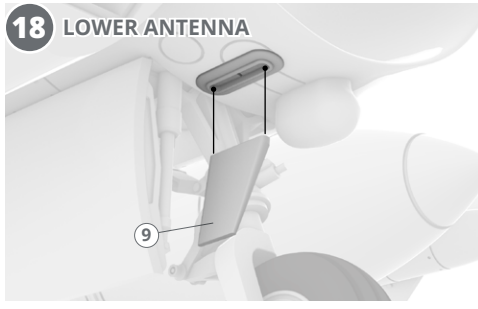
16 MAIN AND NOSE LANDING GEAR



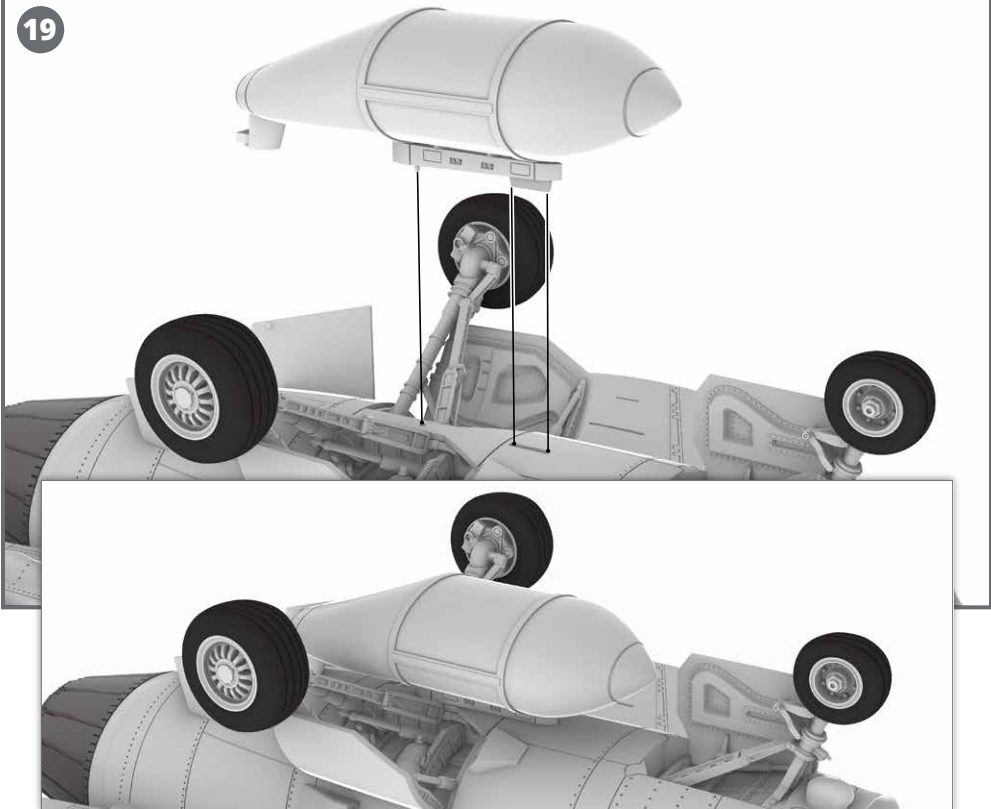
17 PITOT TUBE



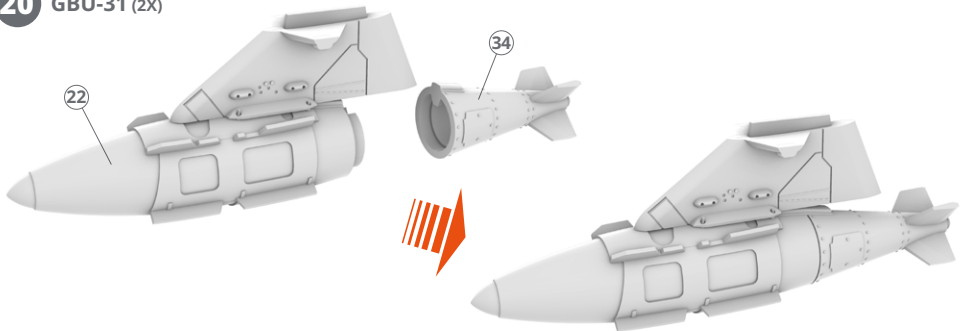
18 LOWER ANTENNA



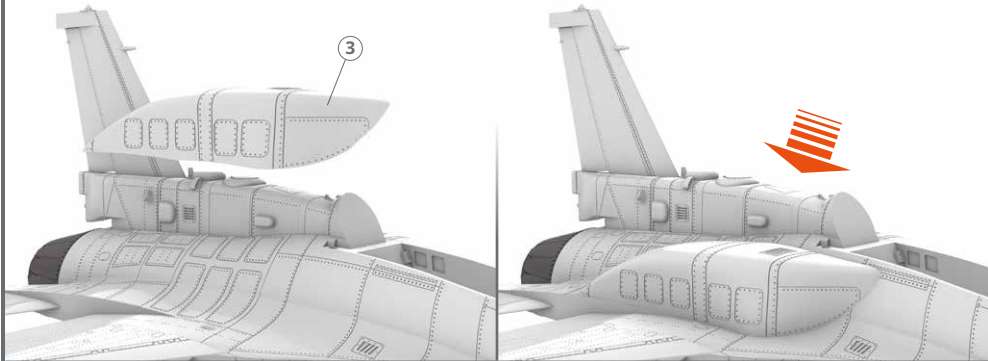
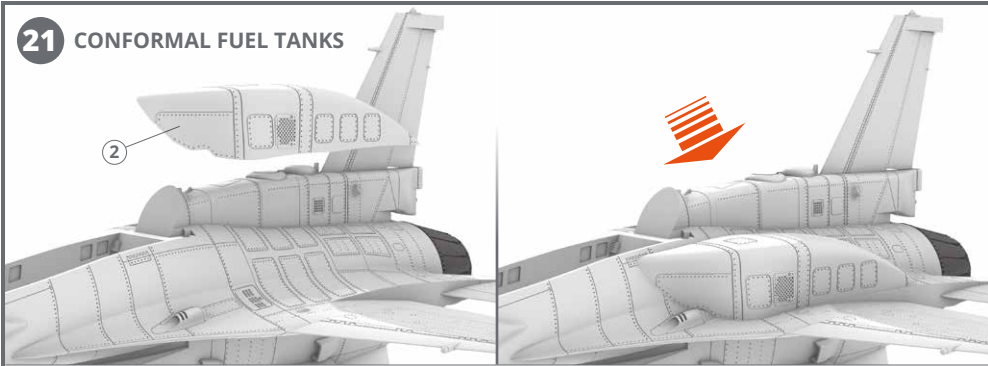
19



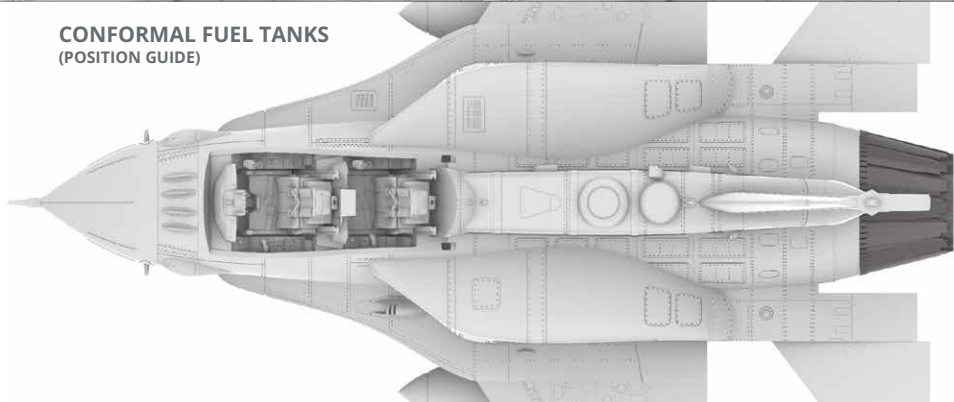
20 GBU-31 (2x)



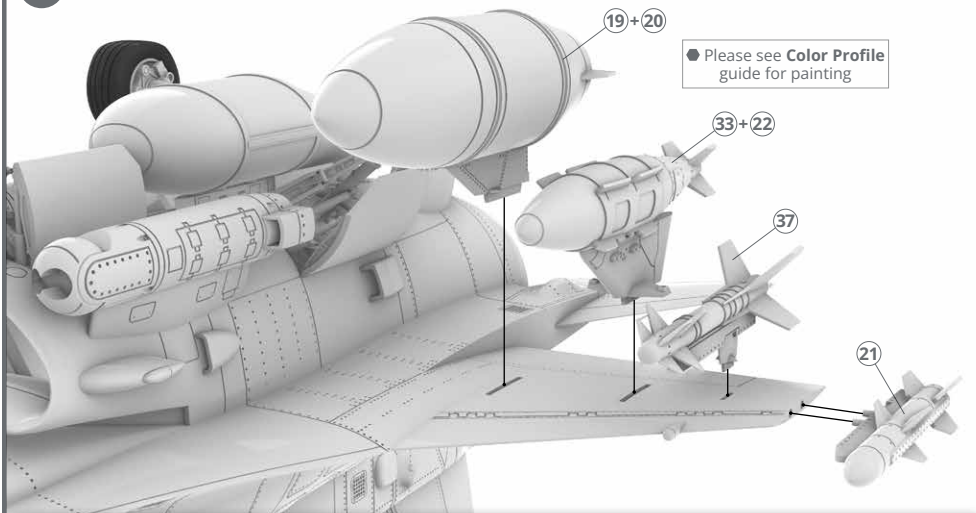
21 CONFORMAL FUEL TANKS



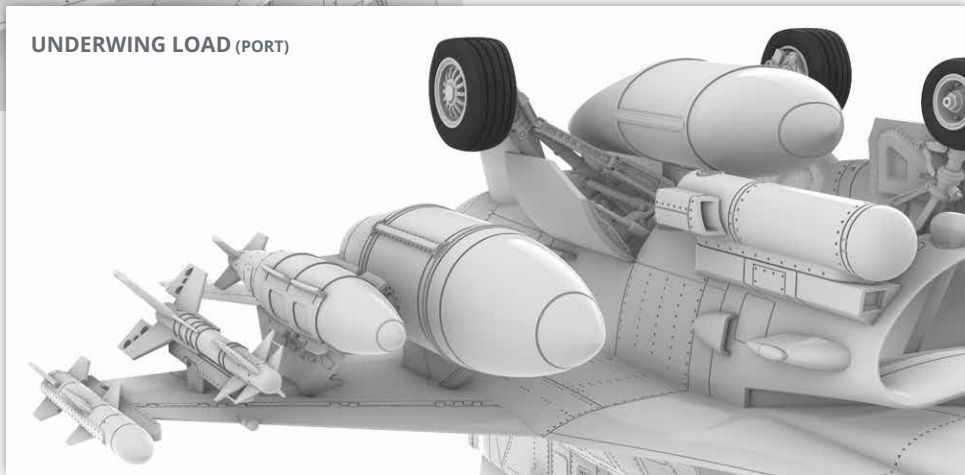
**CONFORMAL FUEL TANKS
(POSITION GUIDE)**



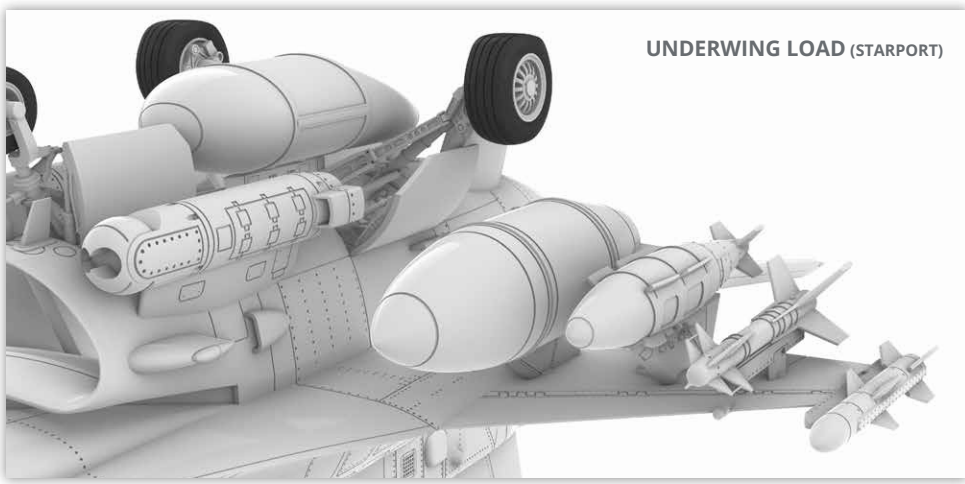
22 UNDERWING LOAD (REPEAT THIS STEP ON THE OTHER SIDE)



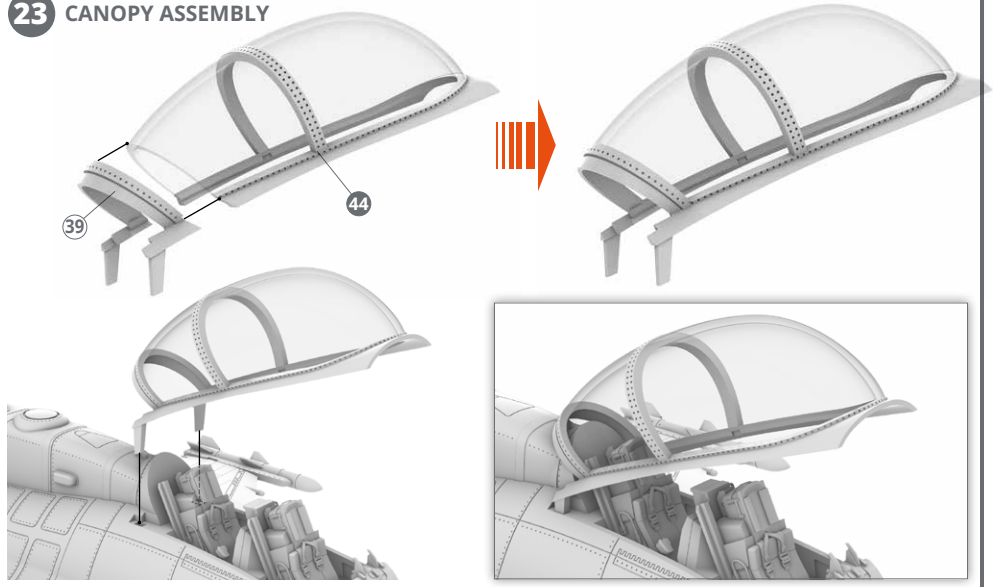
UNDERWING LOAD (PORT)



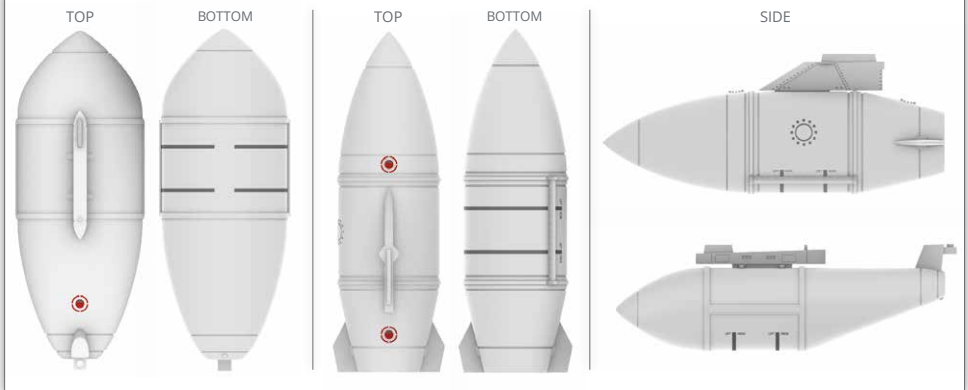
UNDERWING LOAD (STARPORT)



23 CANOPY ASSEMBLY



WINGS AND CENTERLINE TANKS



MAIN LANDING GEAR WHEEL WELL

