

3D PRINTED
SCALE MODEL
Limited Edition

HYPER REALISTIC
CARTOON SERIES

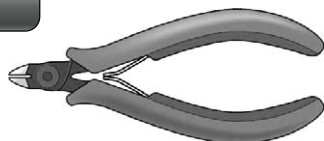
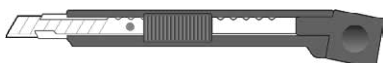
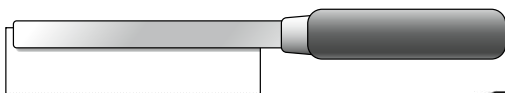
Joycraft
PRODUCTIONS



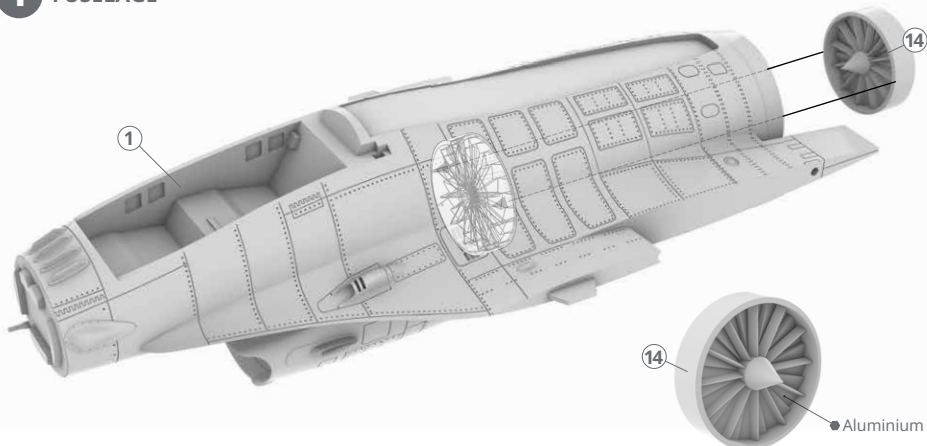
TINY
TOON

F-16D VIPER

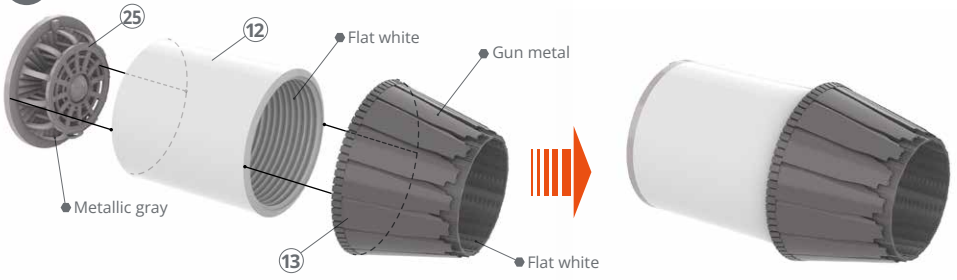
RECOMMENDED TOOLS



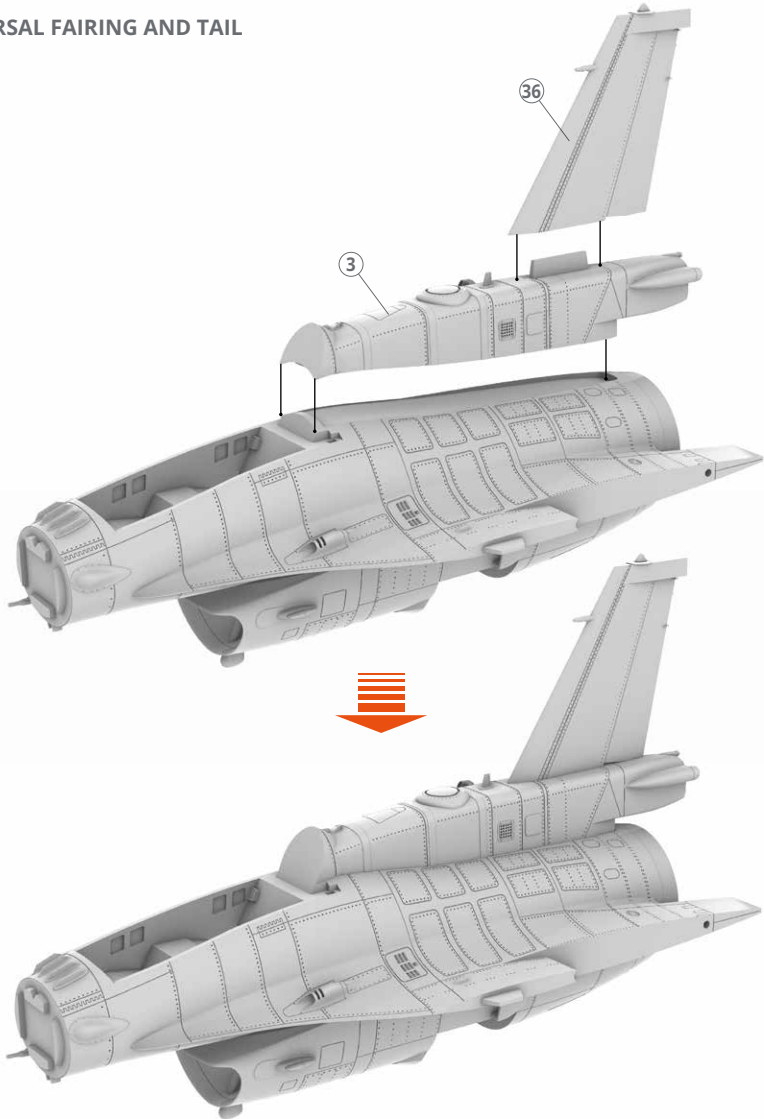
1 FUSELAGE



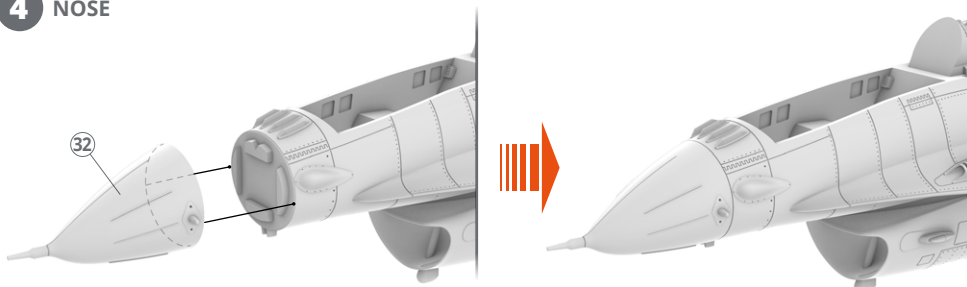
2 ENGINE



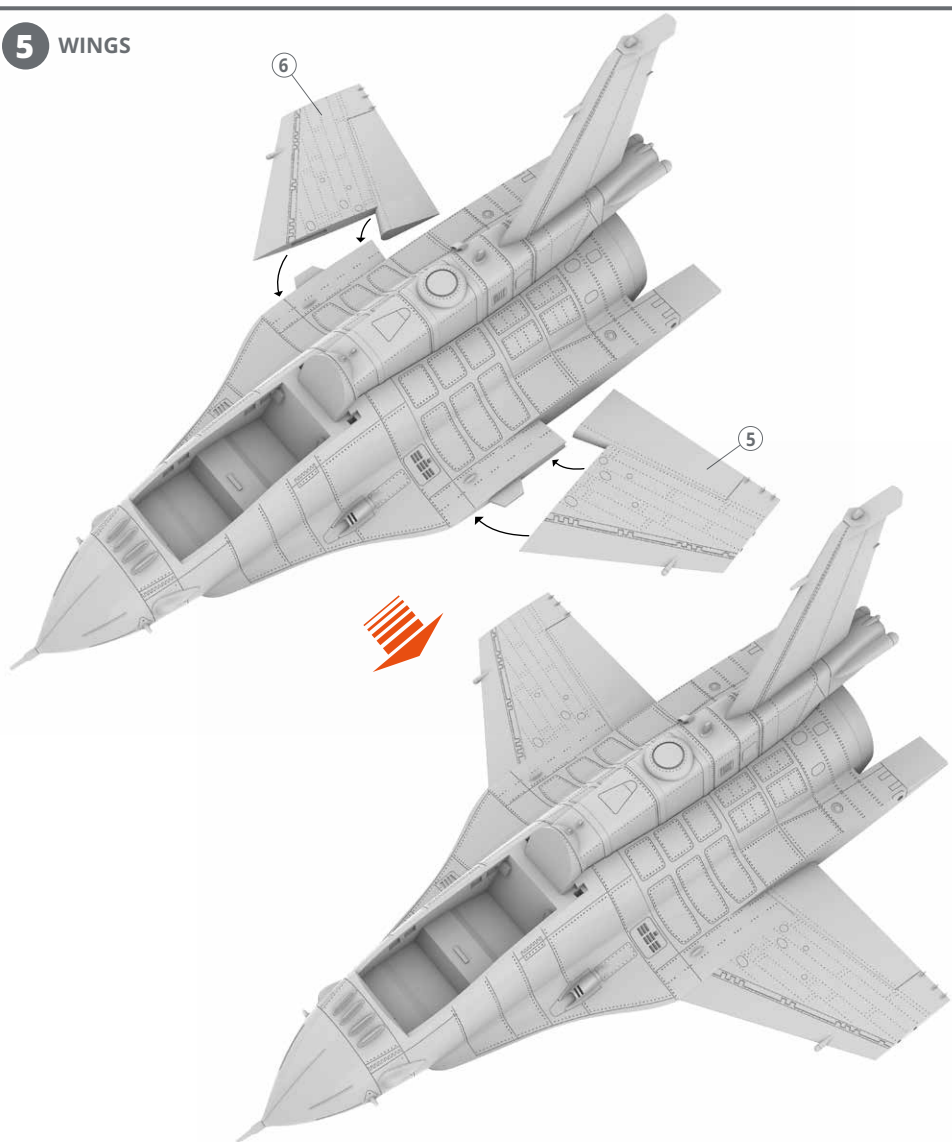
3 DORSAL FAIRING AND TAIL



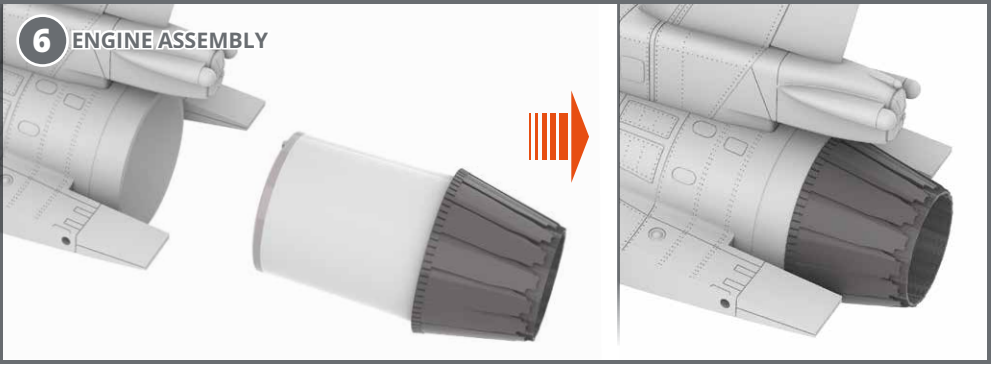
4 NOSE



5 WINGS



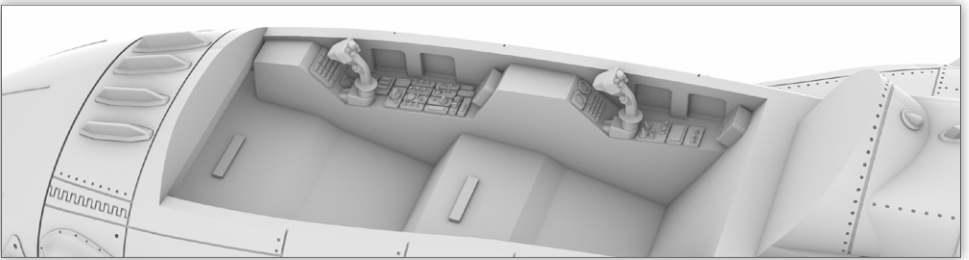
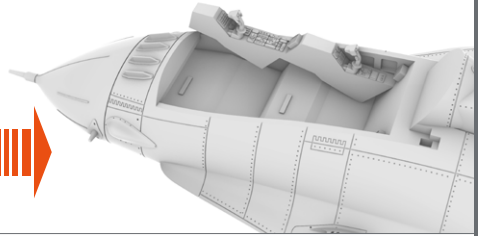
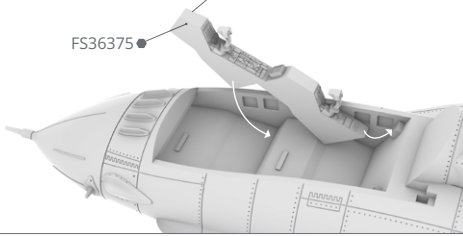
6 ENGINE ASSEMBLY



7 CONSOLES

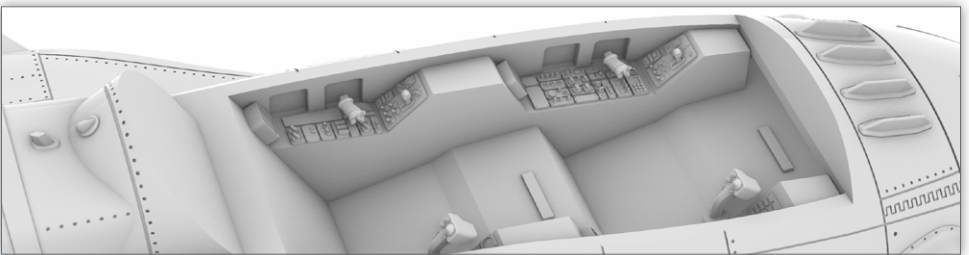
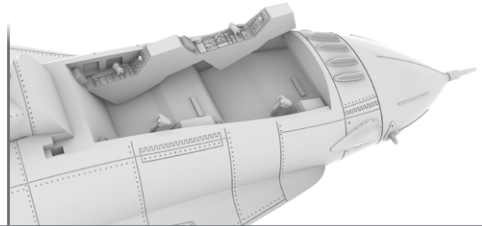
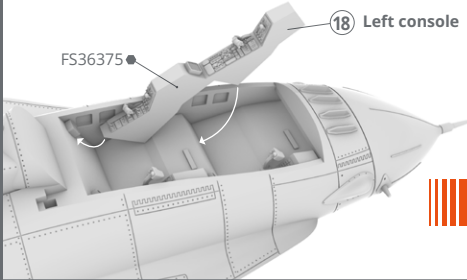
19 Right console

FS36375

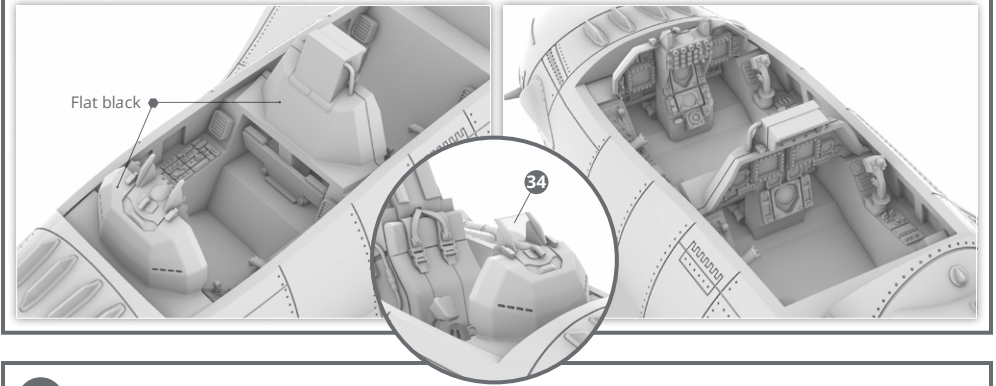
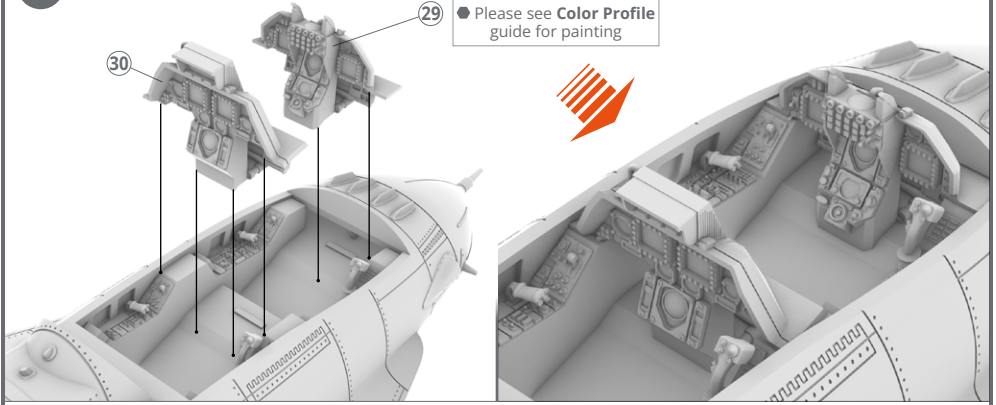


18 Left console

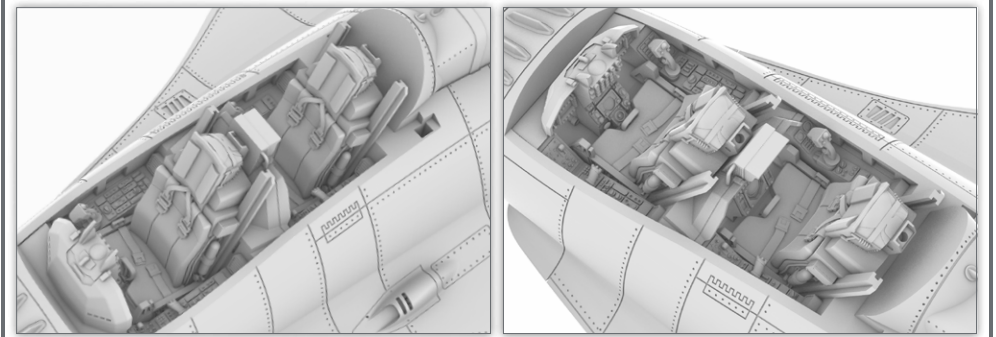
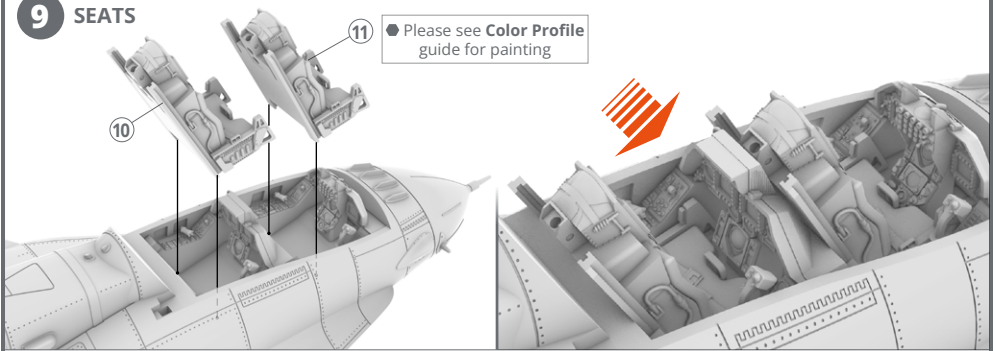
FS36375



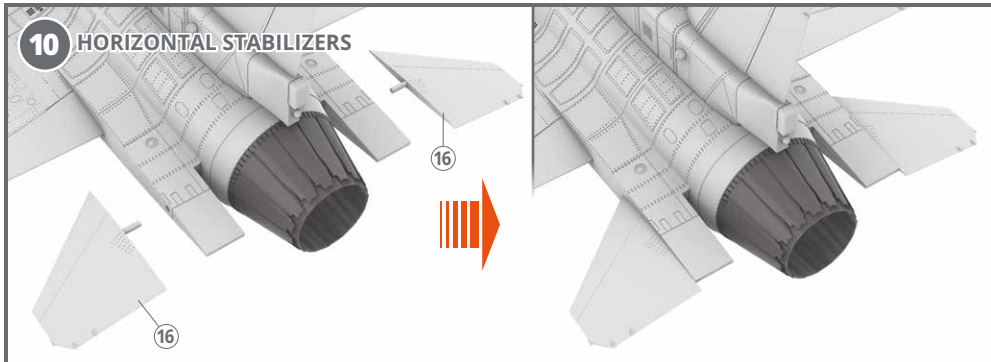
8 INSTRUMENT PANELS



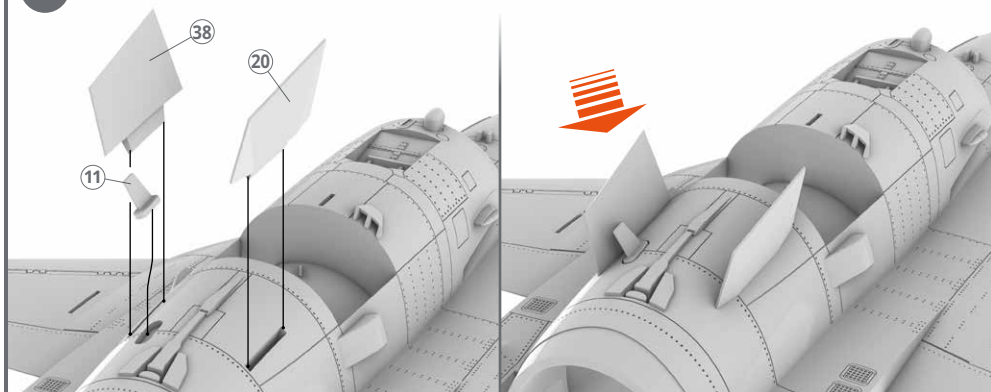
9 SEATS



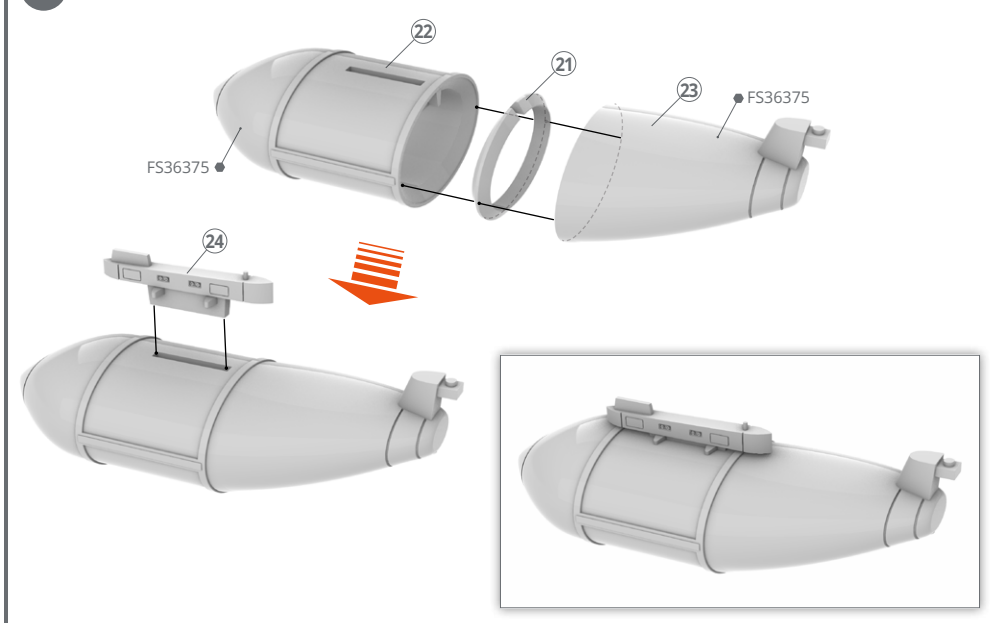
10 HORIZONTAL STABILIZERS



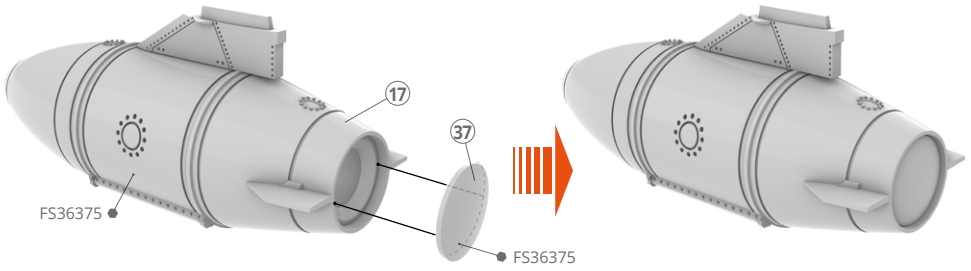
11 VENTRAL FIN AND REAR LOWER ANTENNA



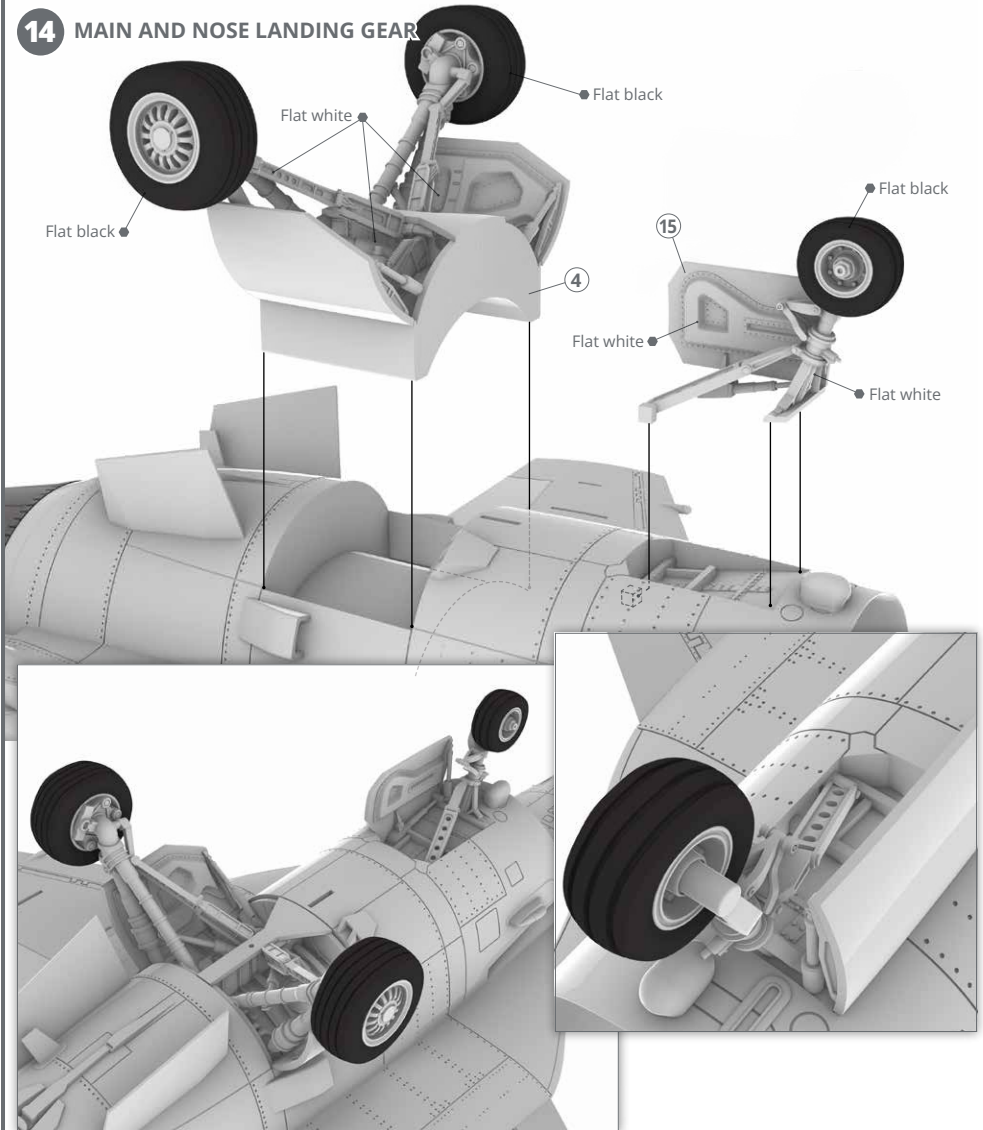
12 CENTERLINE TANK



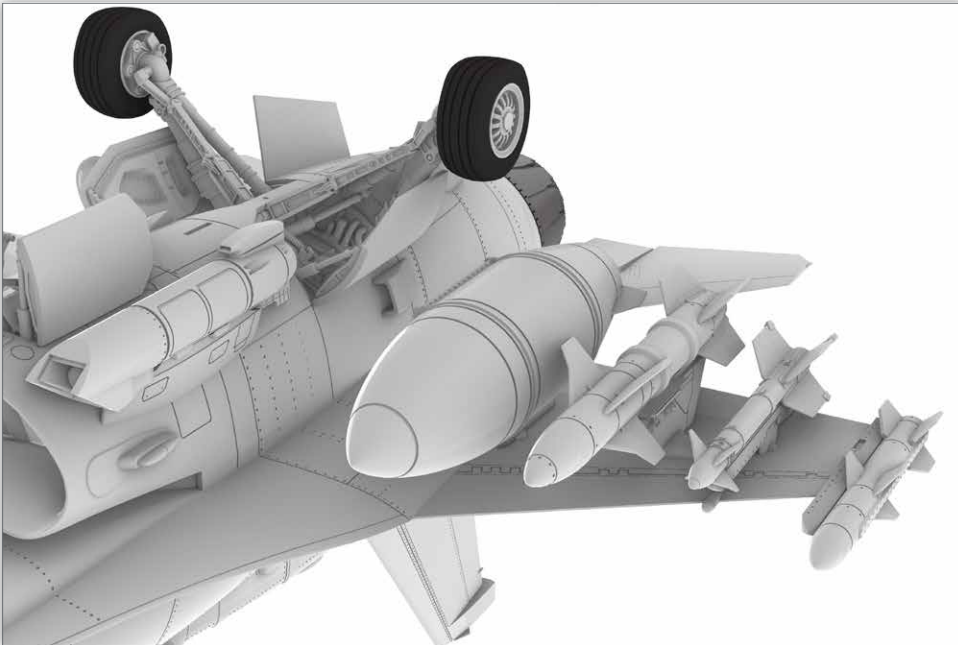
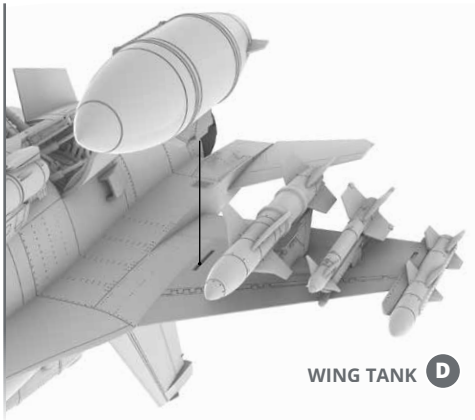
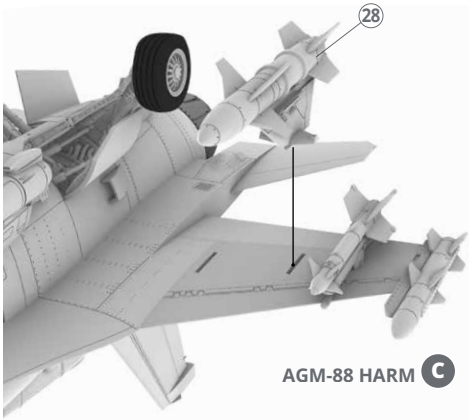
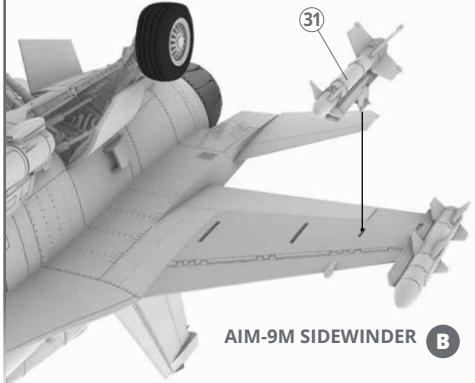
13 WING TANK (2X)



14 MAIN AND NOSE LANDING GEAR

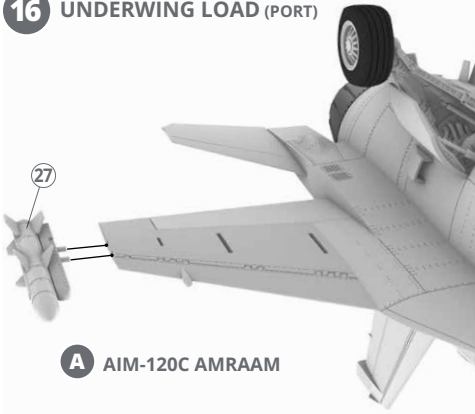


15 UNDERWING LOAD (STARPORT)



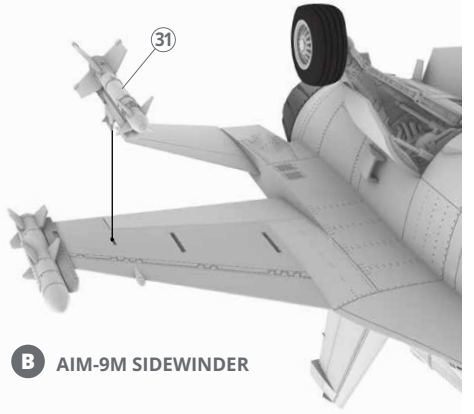
16 UNDERWING LOAD (PORT)

27



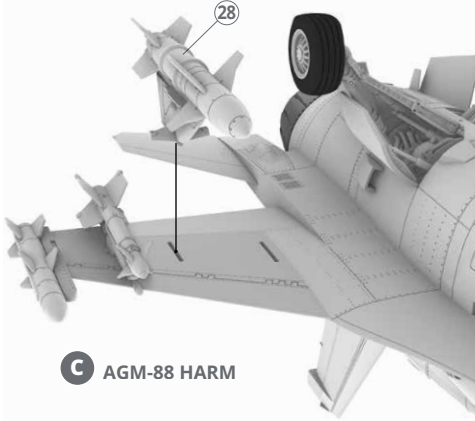
A AIM-120C AMRAAM

31



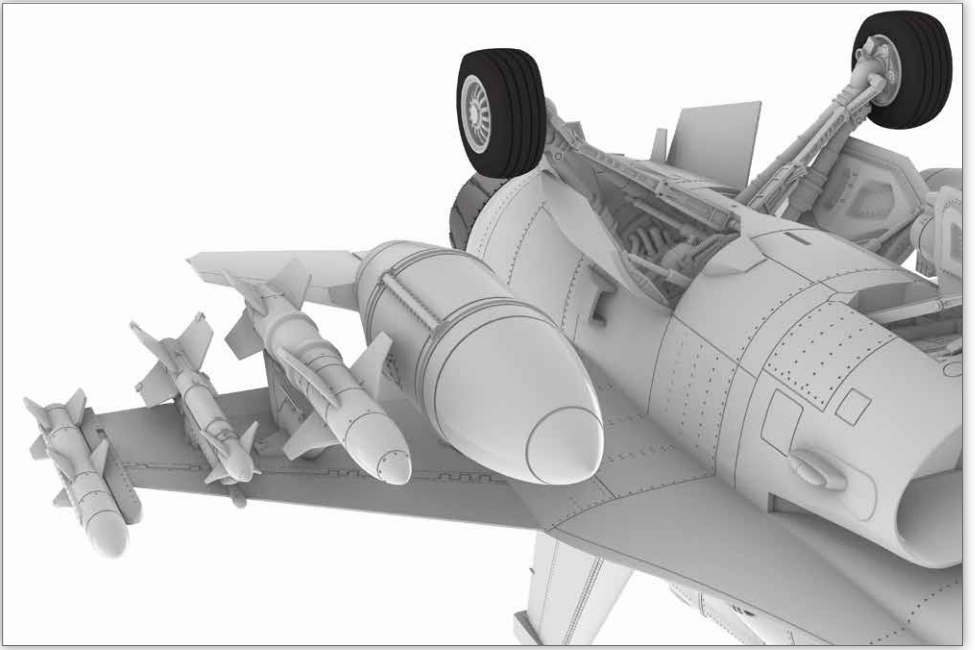
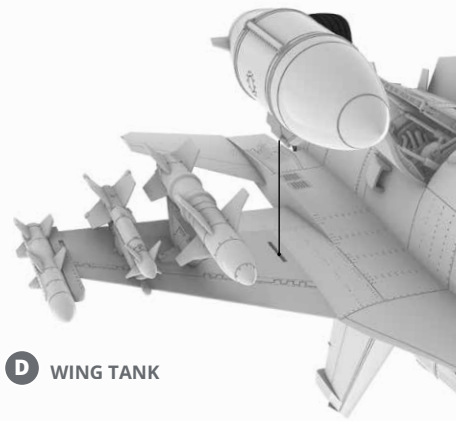
B AIM-9M SIDEWINDER

28

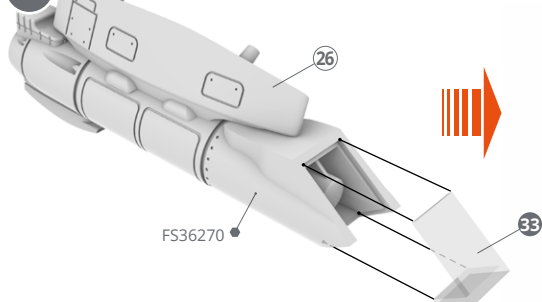


C AGM-88 HARM

D WING TANK



17 SNIPER POD



For the Greek version use:

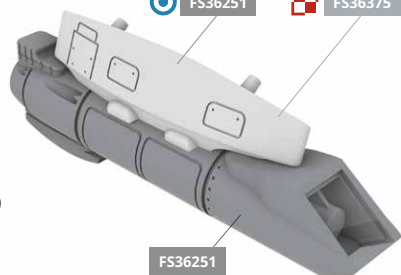


FS36251

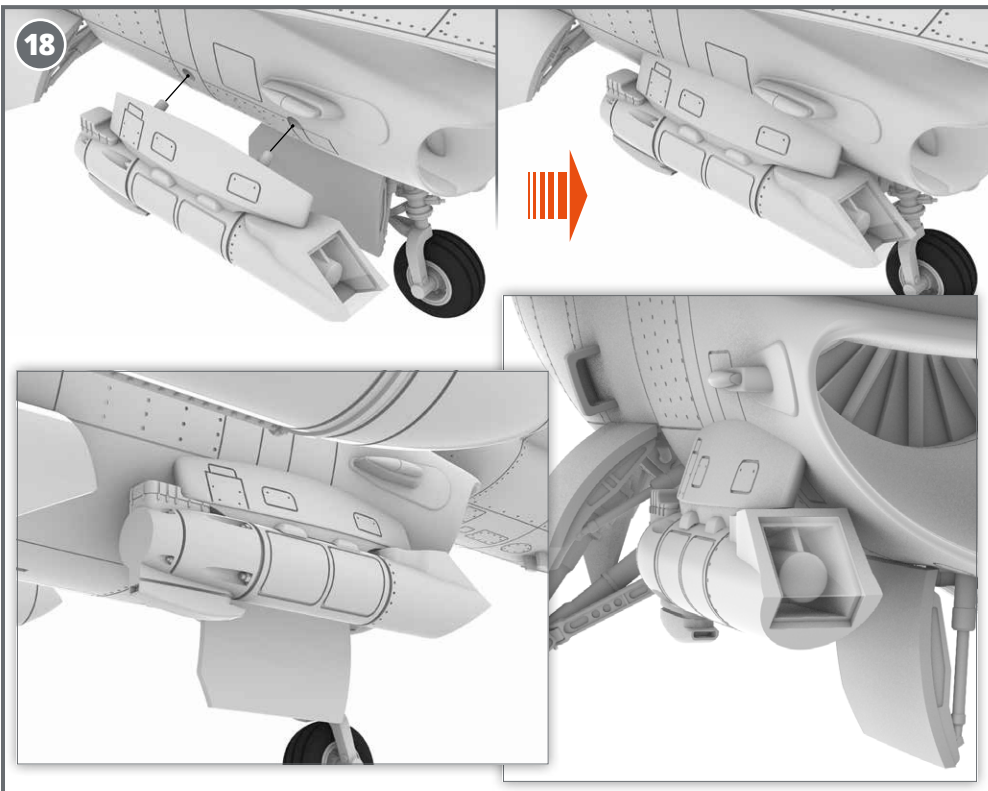
For the polish version use:



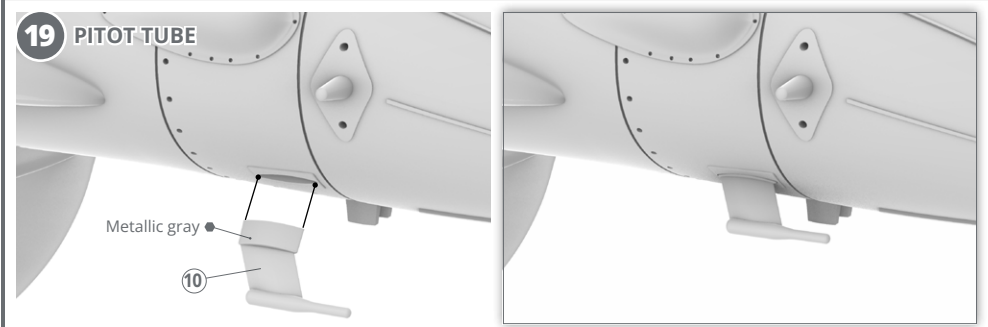
FS36375



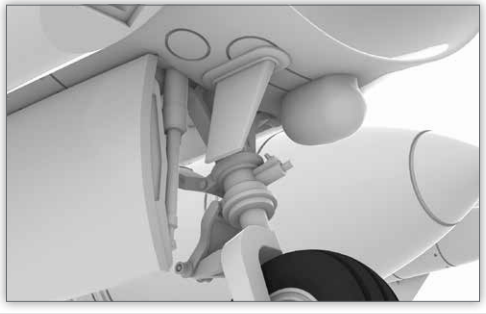
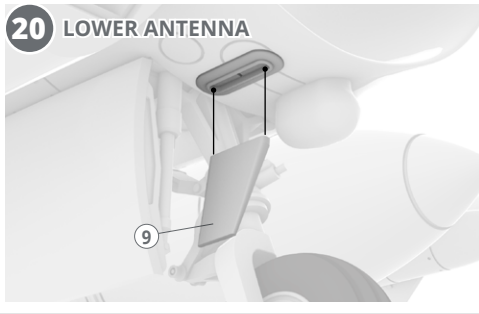
18



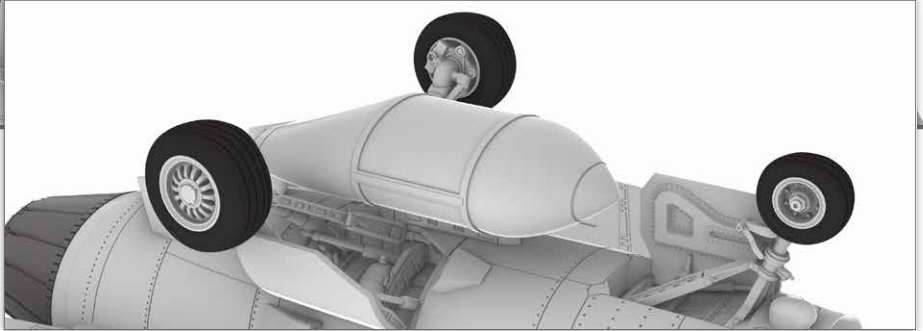
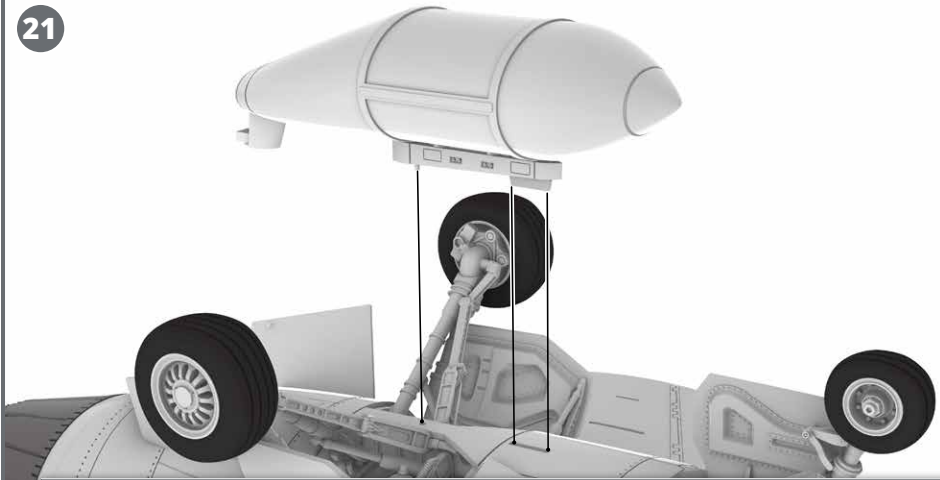
19 PITOT TUBE



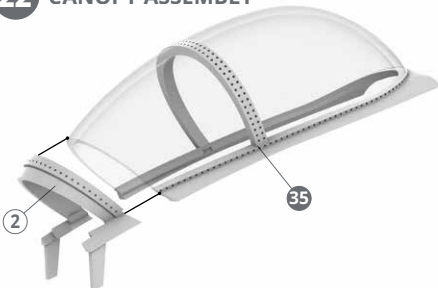
20 LOWER ANTENNA



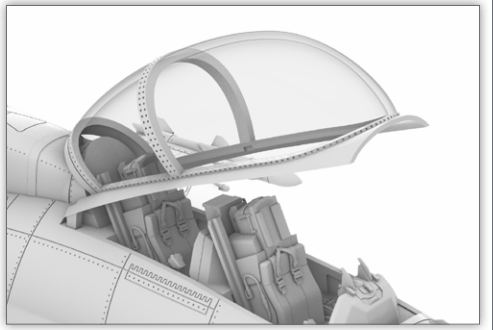
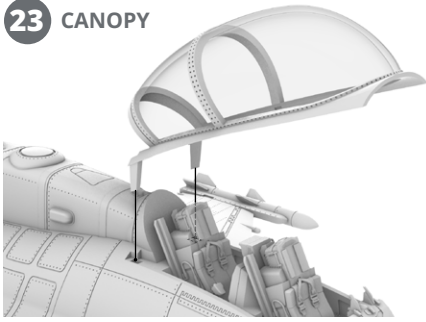
21



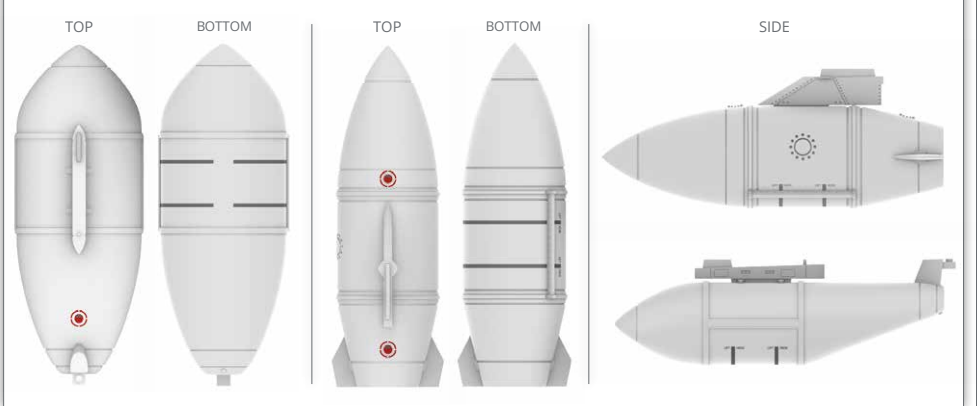
22 CANOPY ASSEMBLY



23 CANOPY



WINGS AND CENTERLINE TANKS



MAIN LANDING GEAR WHEEL WELL

