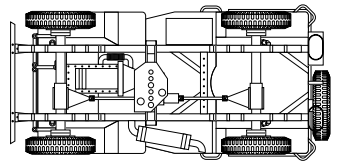
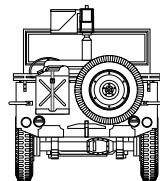
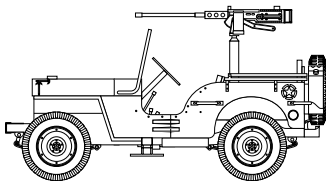
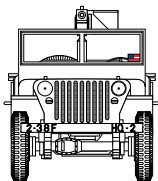
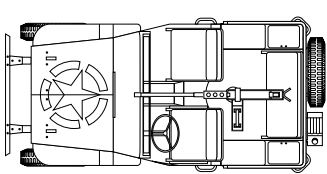
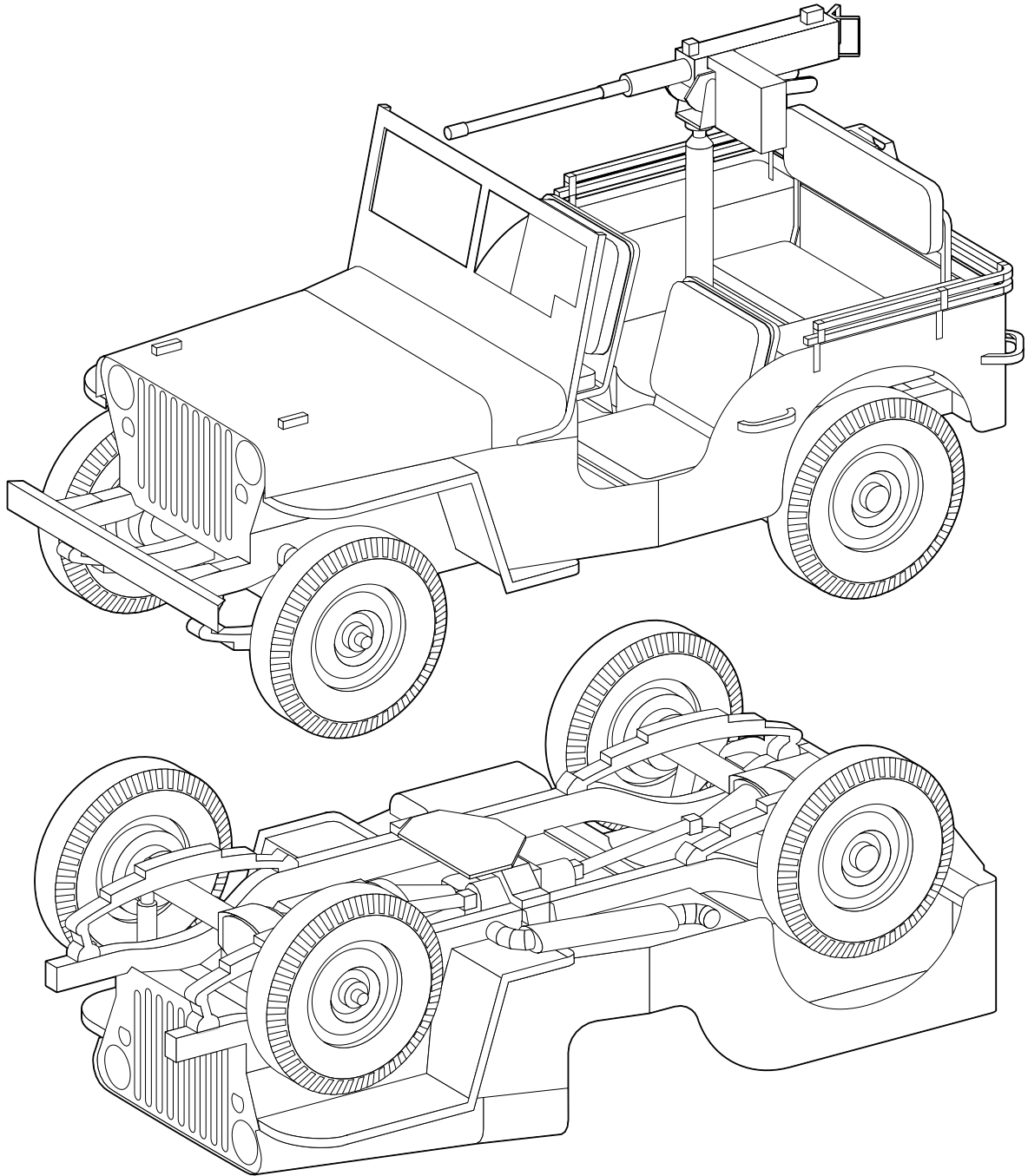
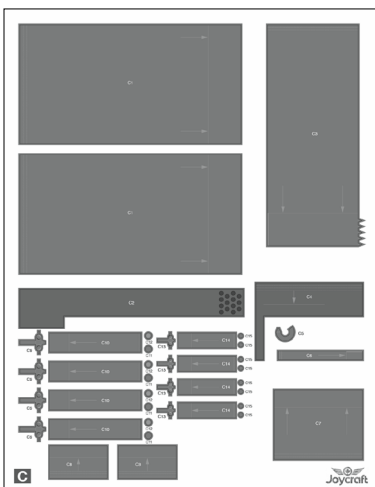
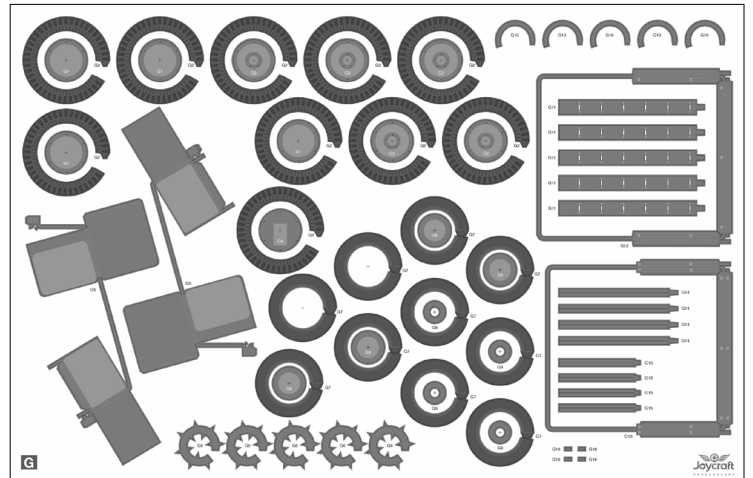
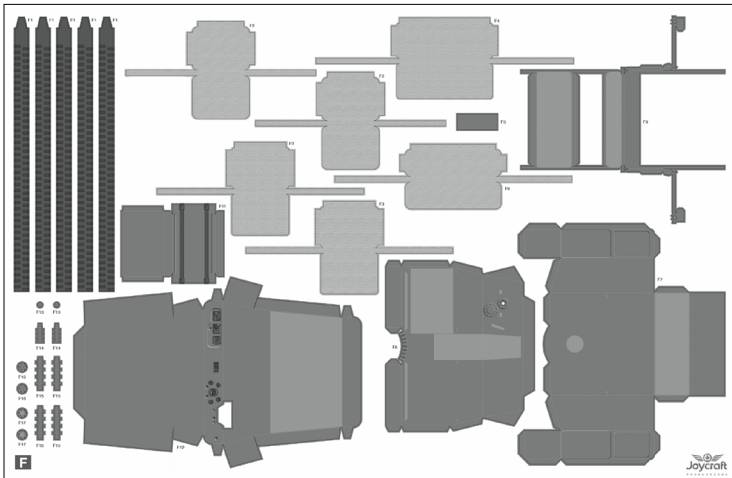
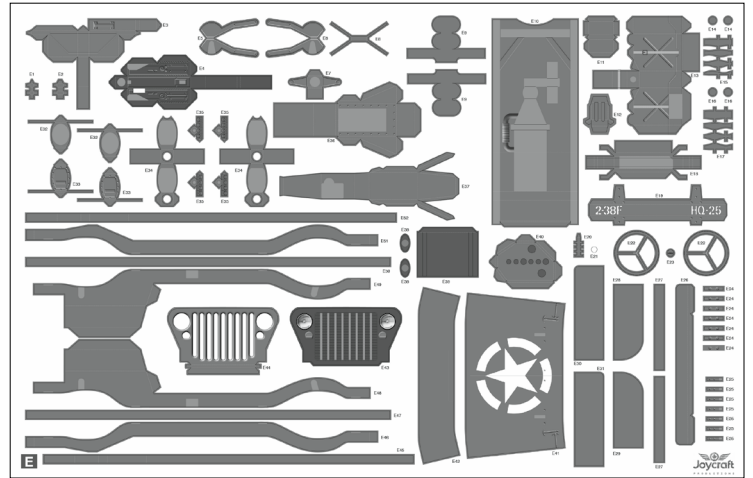
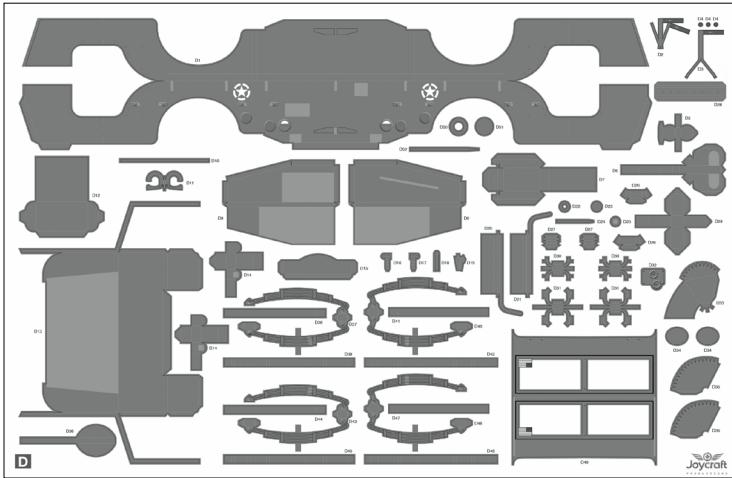
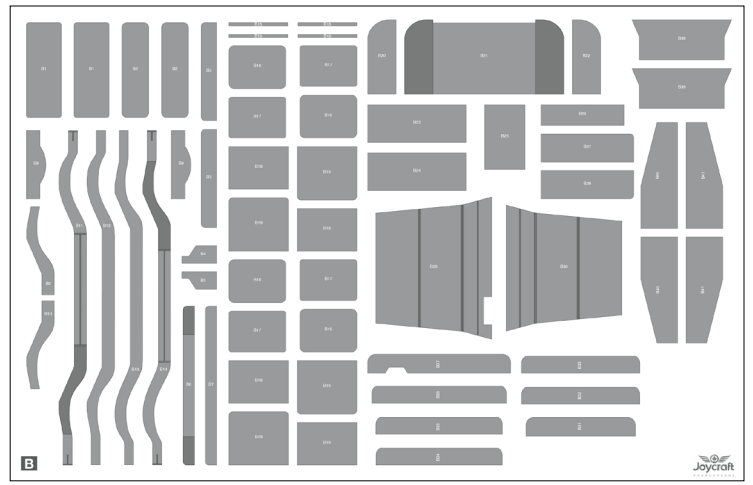
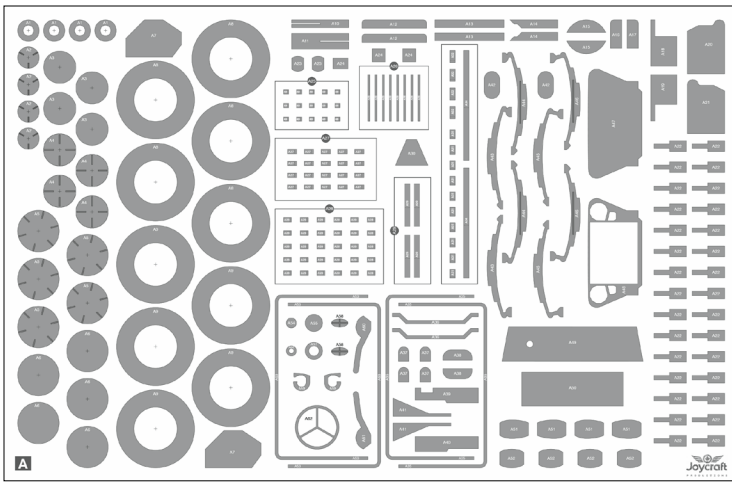


# U.S. JEEP WILLYS MB





### Necessary tools



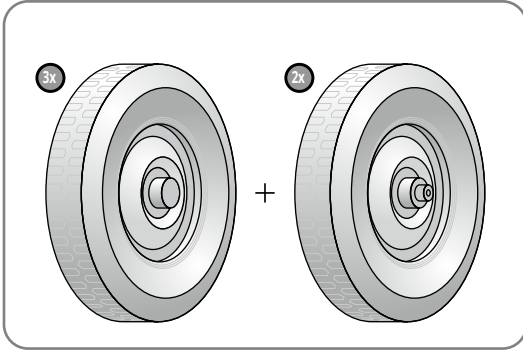
### Before you start:

- Study the instructions carefully before assembly.
- Make sure your knife blades are in good condition to prevent the paper from tearing.
- For folds, do not use a sharp blade. It is best to "score" the paper with a fine rounded point which will not cut the paper, but rather will create an area of weakness in the paper and naturally aid in folding.

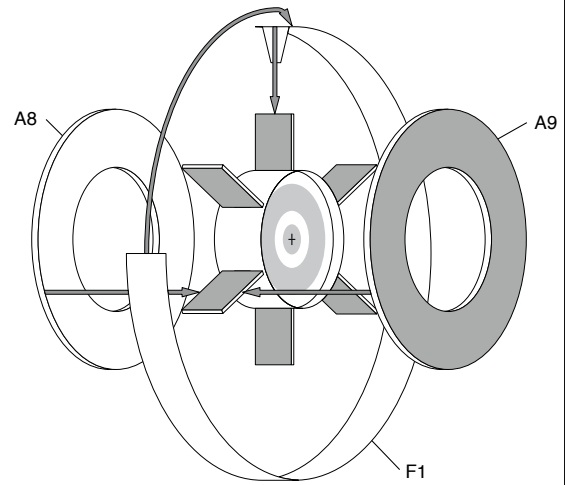
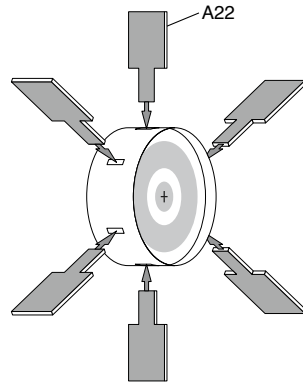
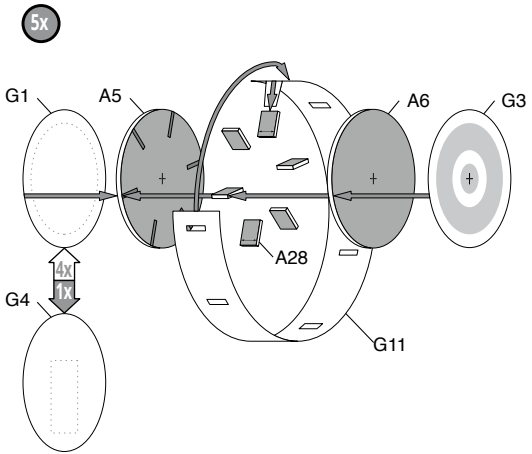
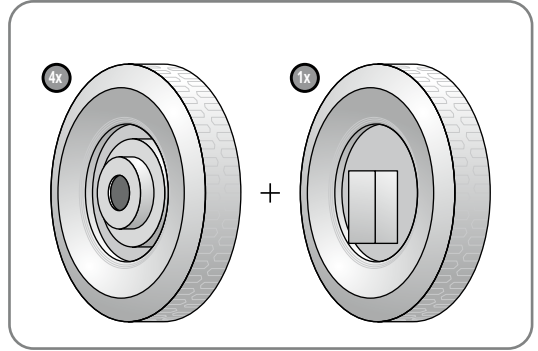
This model is available free of charge on my website: [www.joycraft.ca](http://www.joycraft.ca). If you like this product, do not hesitate to let me know... or even better, offer me a coffee by making a small donation.

Thanks in advance and happy modeling!

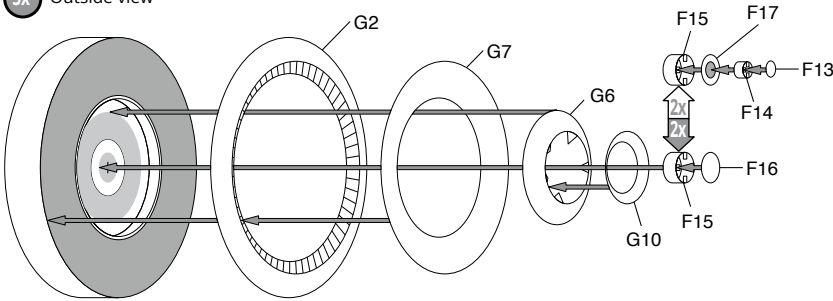
Outside view



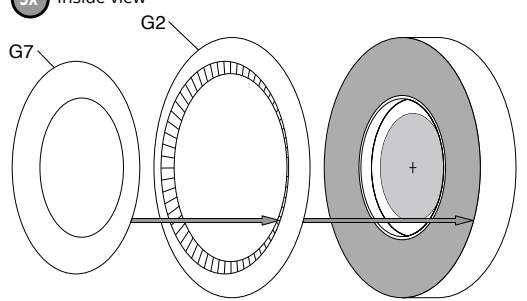
Inside view



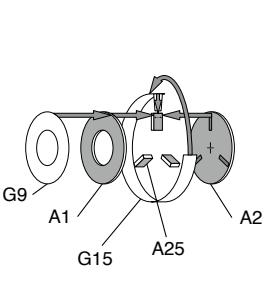
5x Outside view



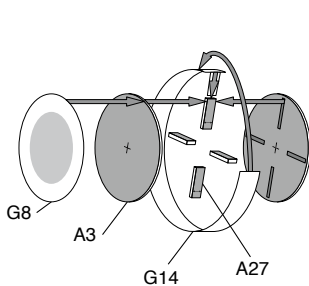
5x Inside view



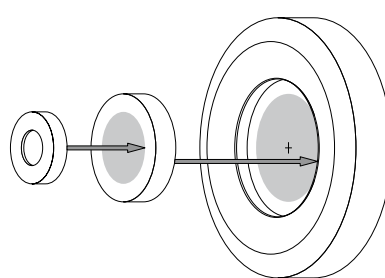
4x



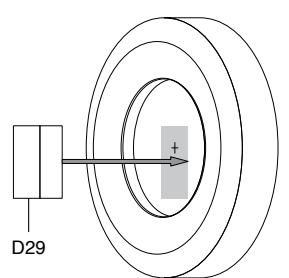
4x

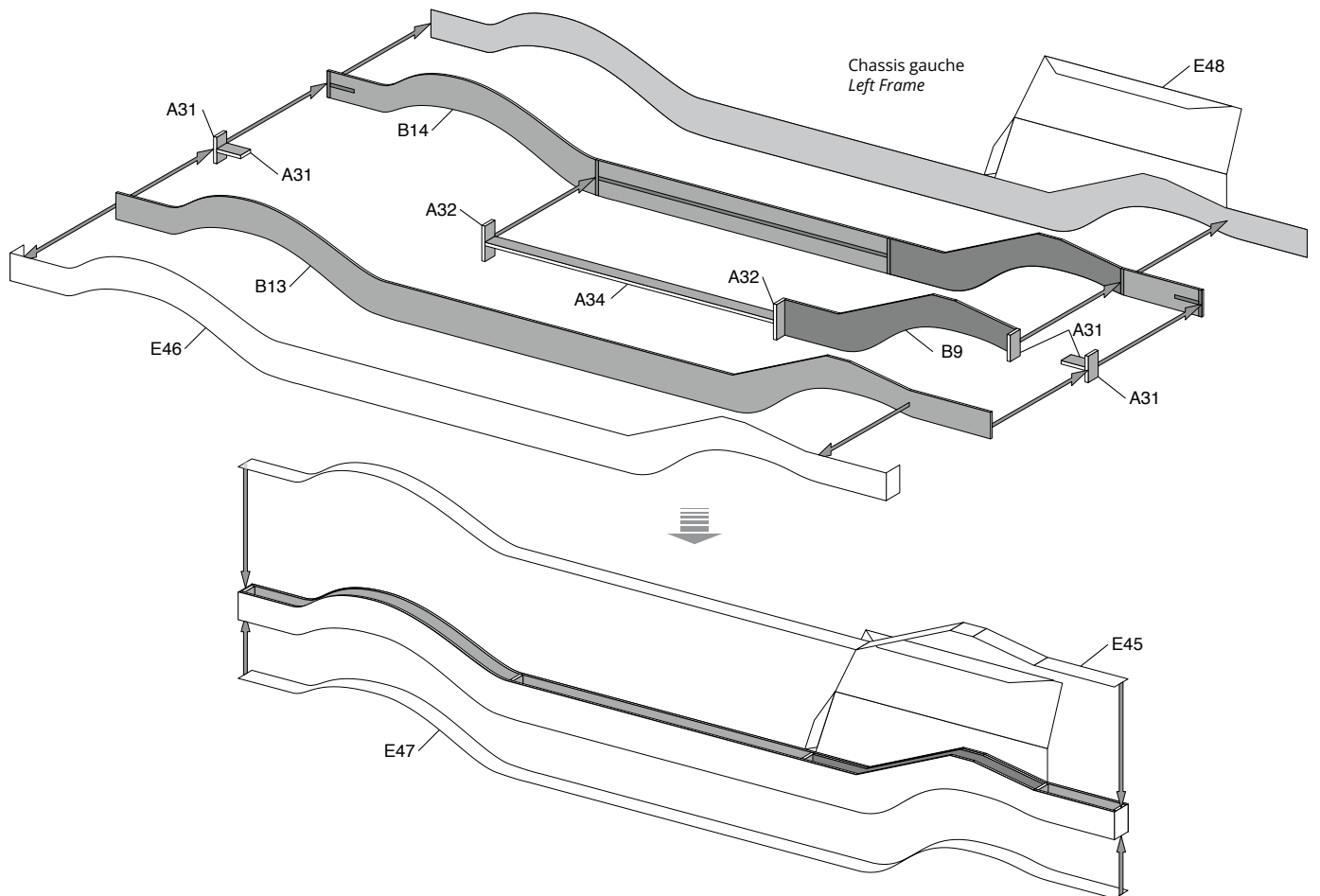
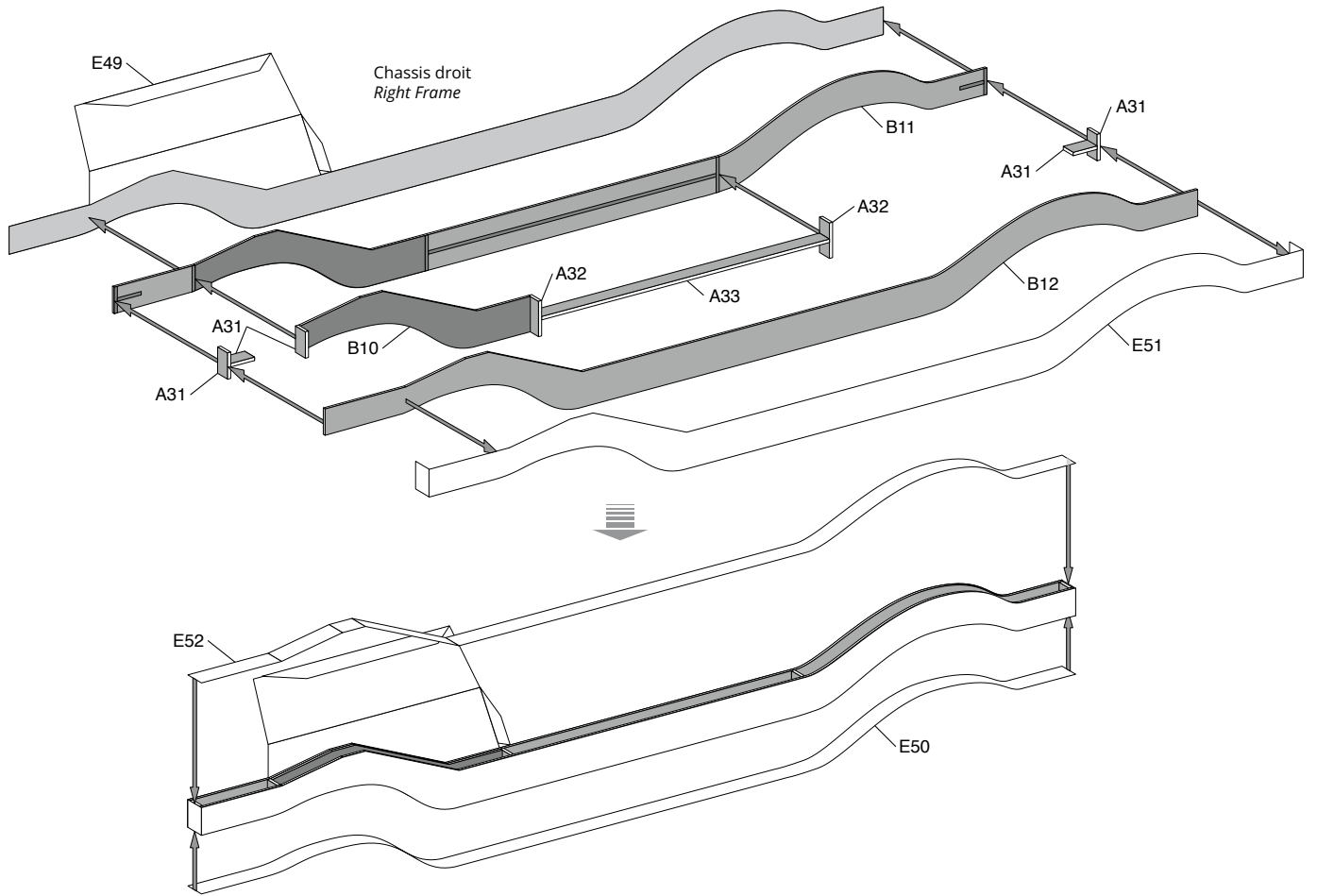


4x Inside view

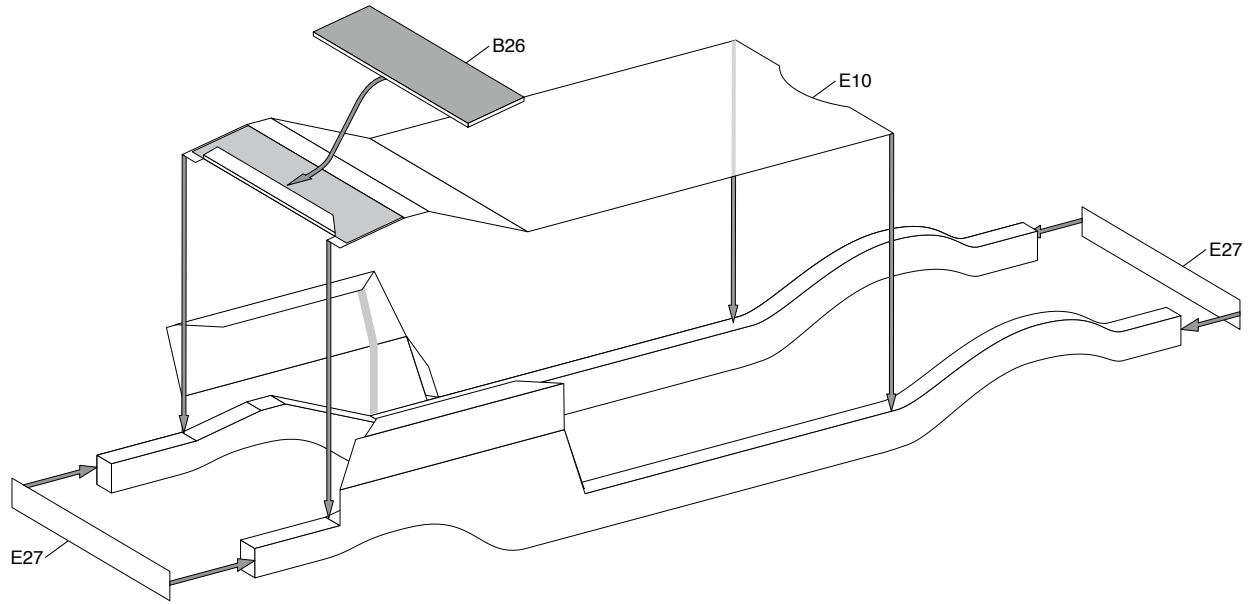


1x Inside view

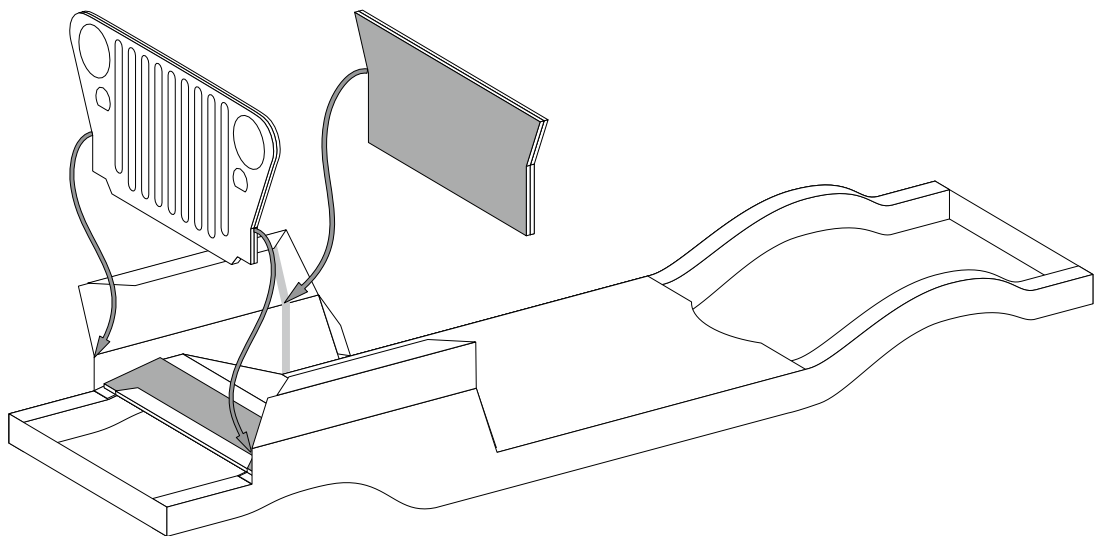
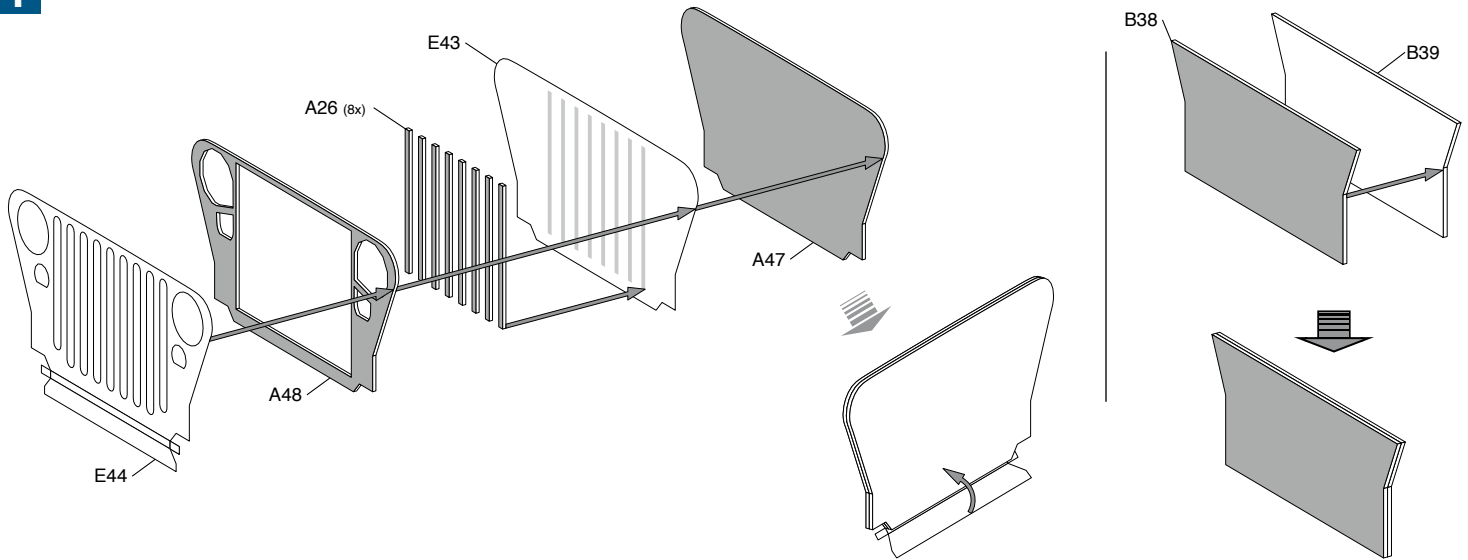




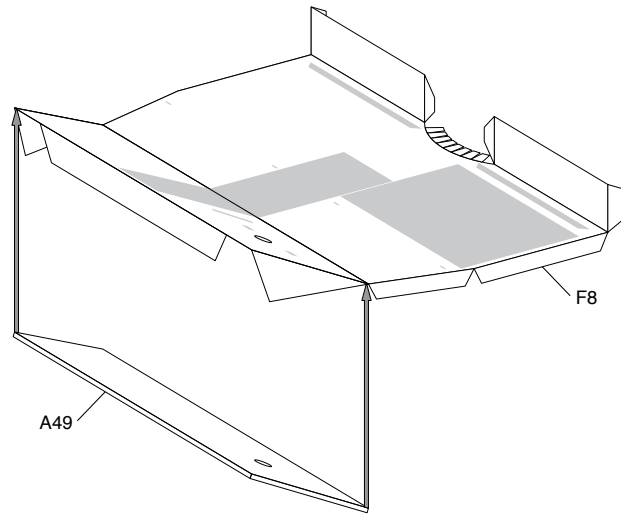
3



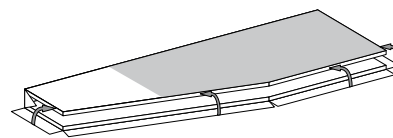
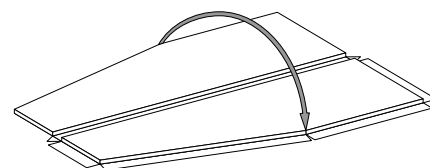
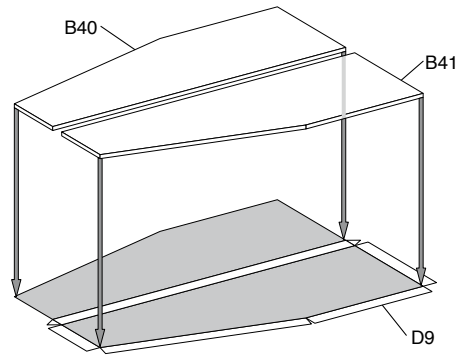
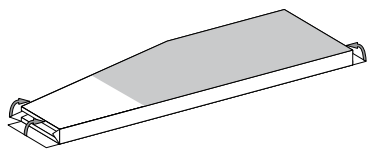
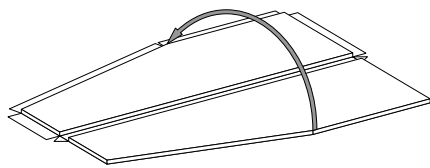
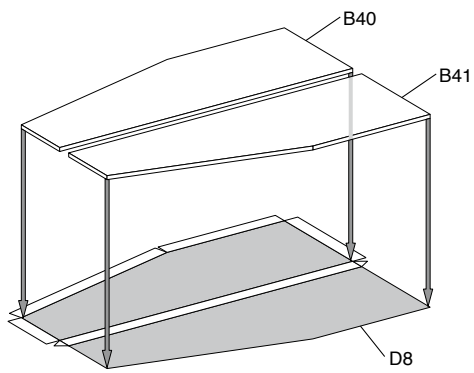
4



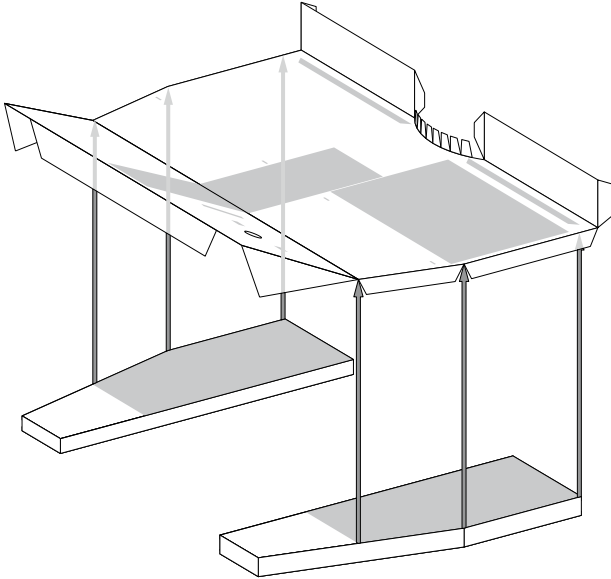
5



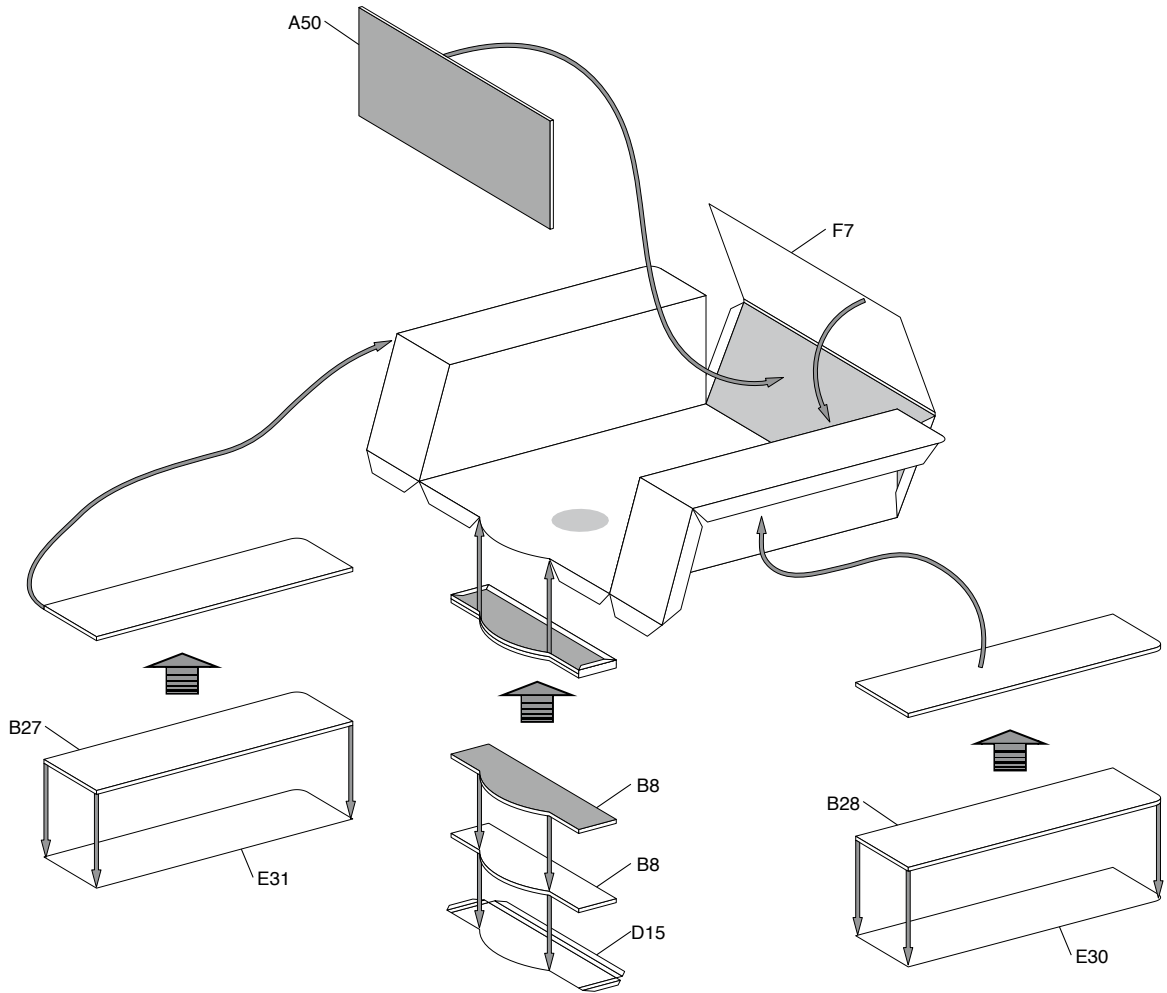
6



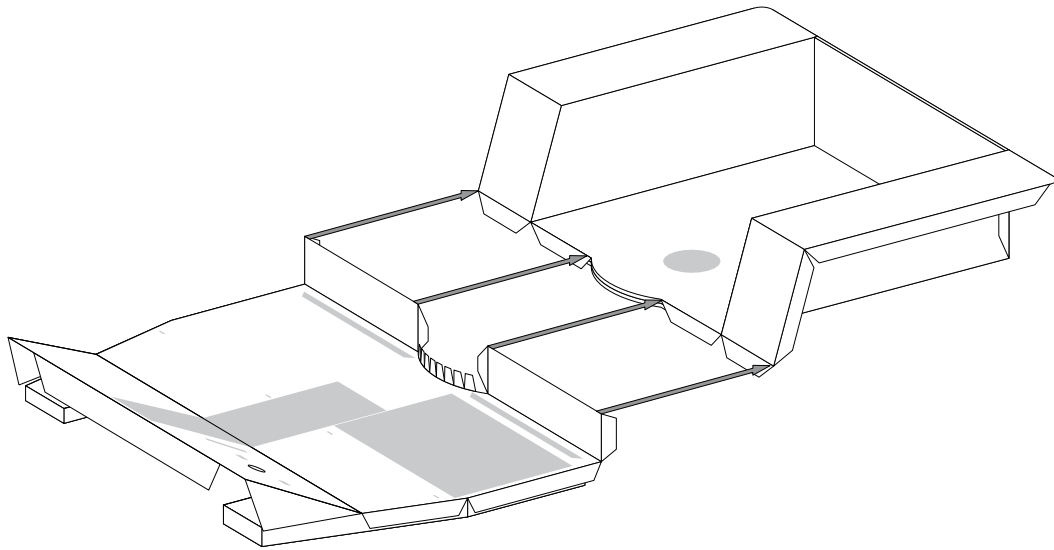
7



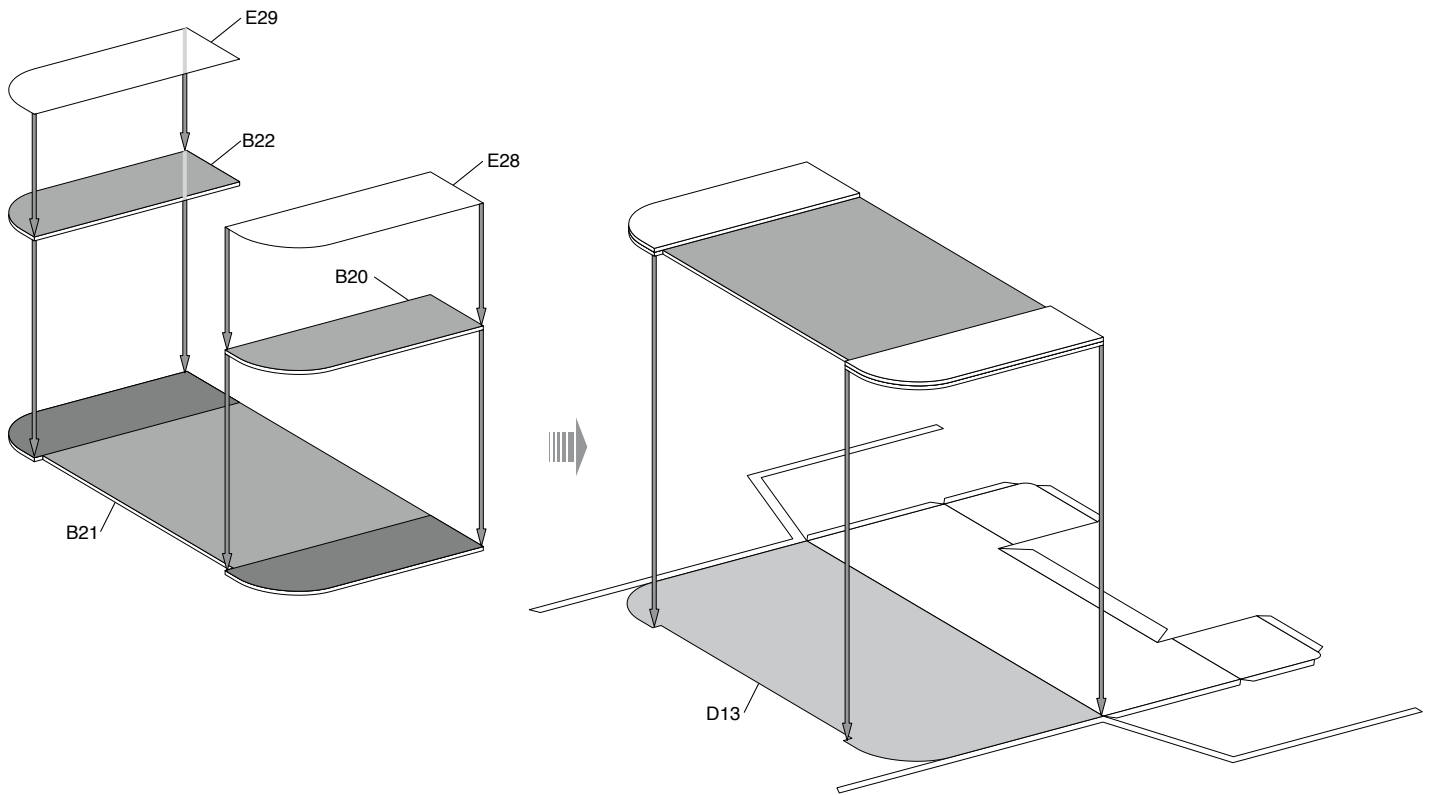
8



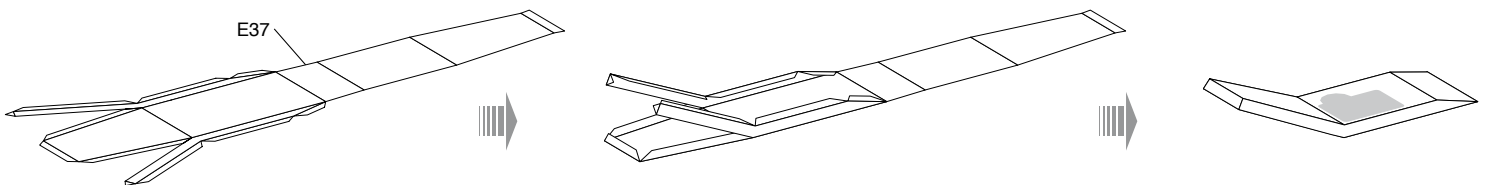
9



10

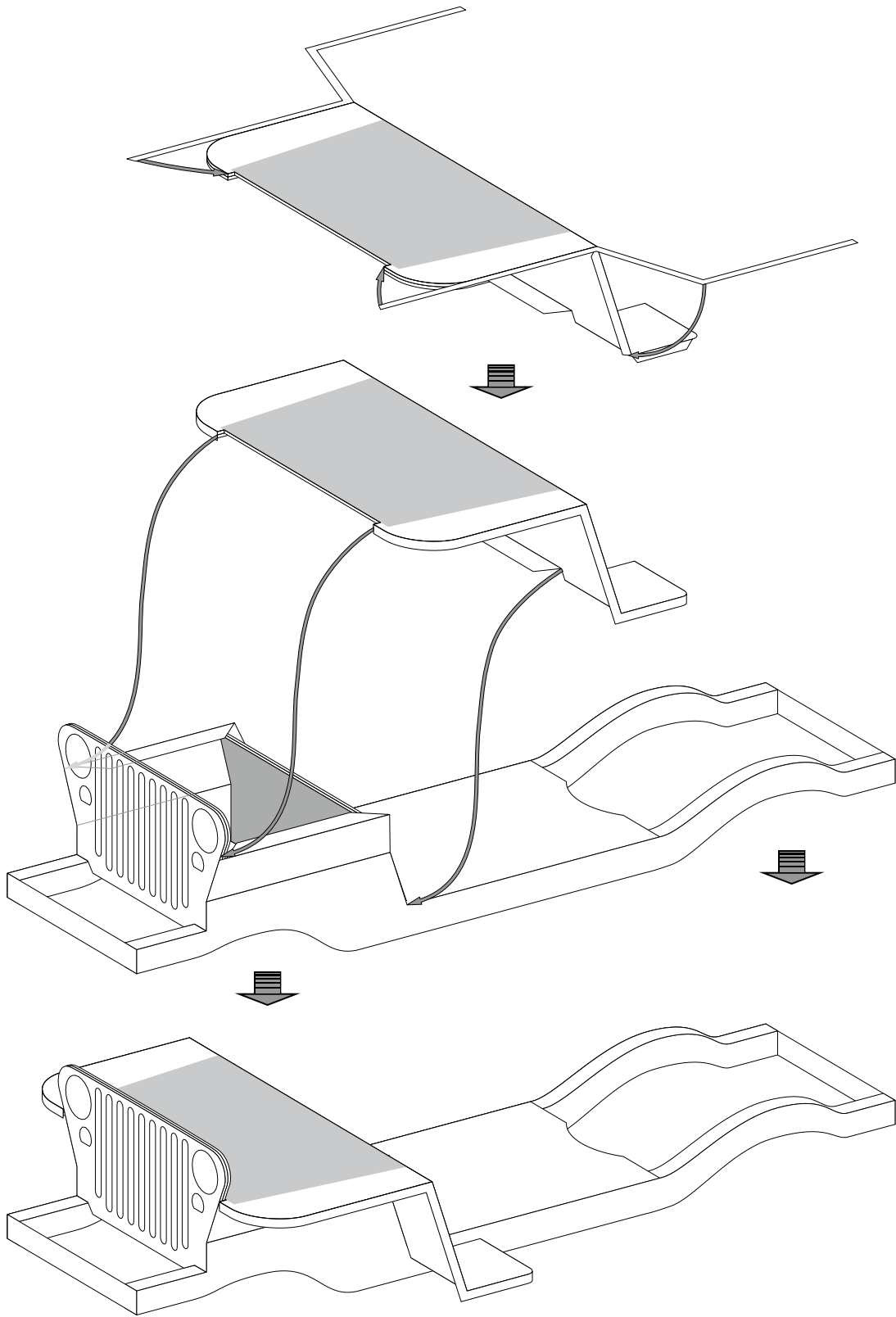


11

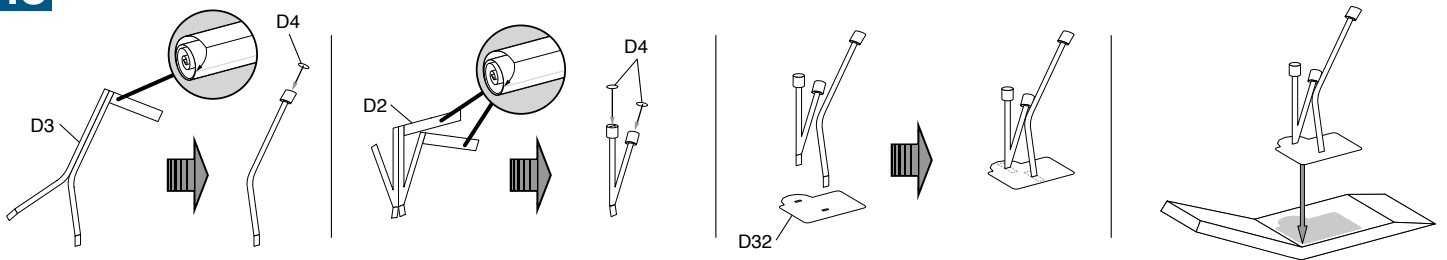




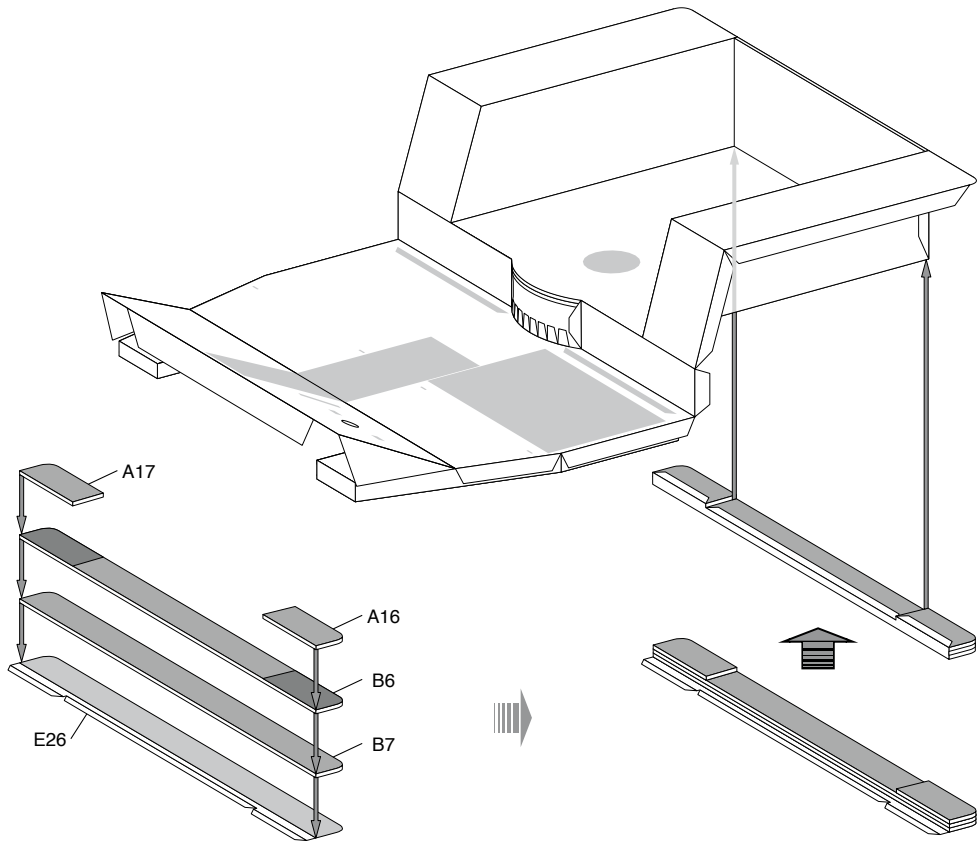
12



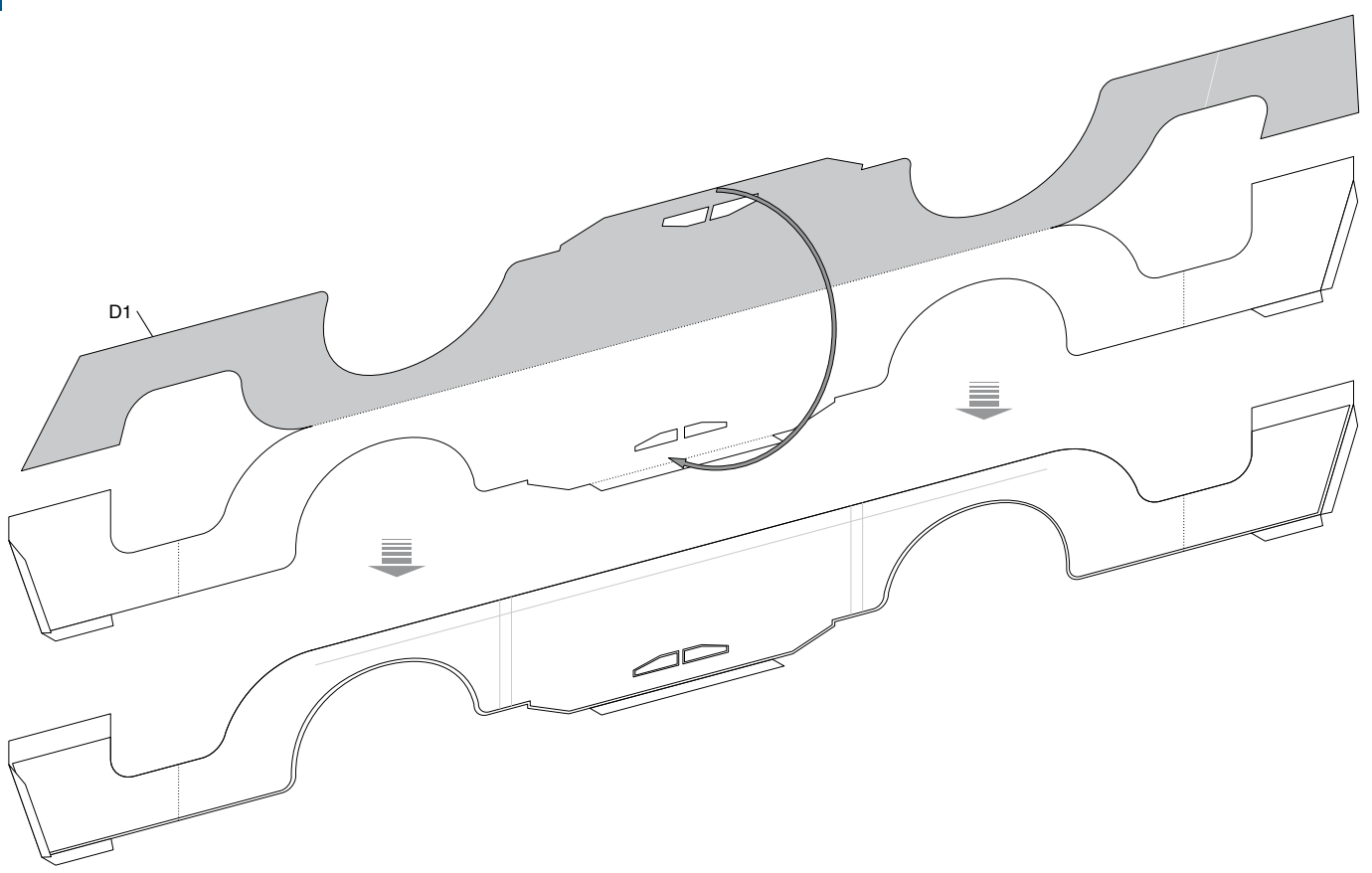
13



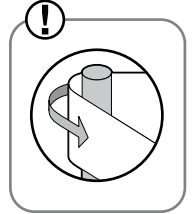
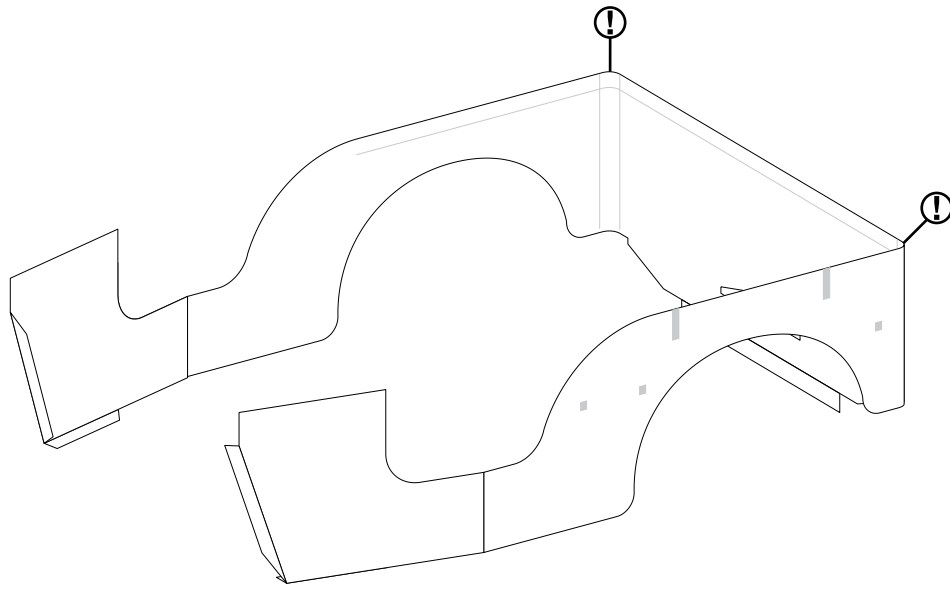
14



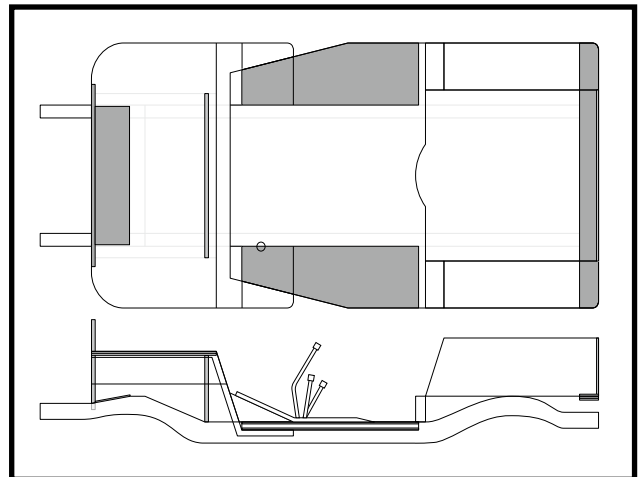
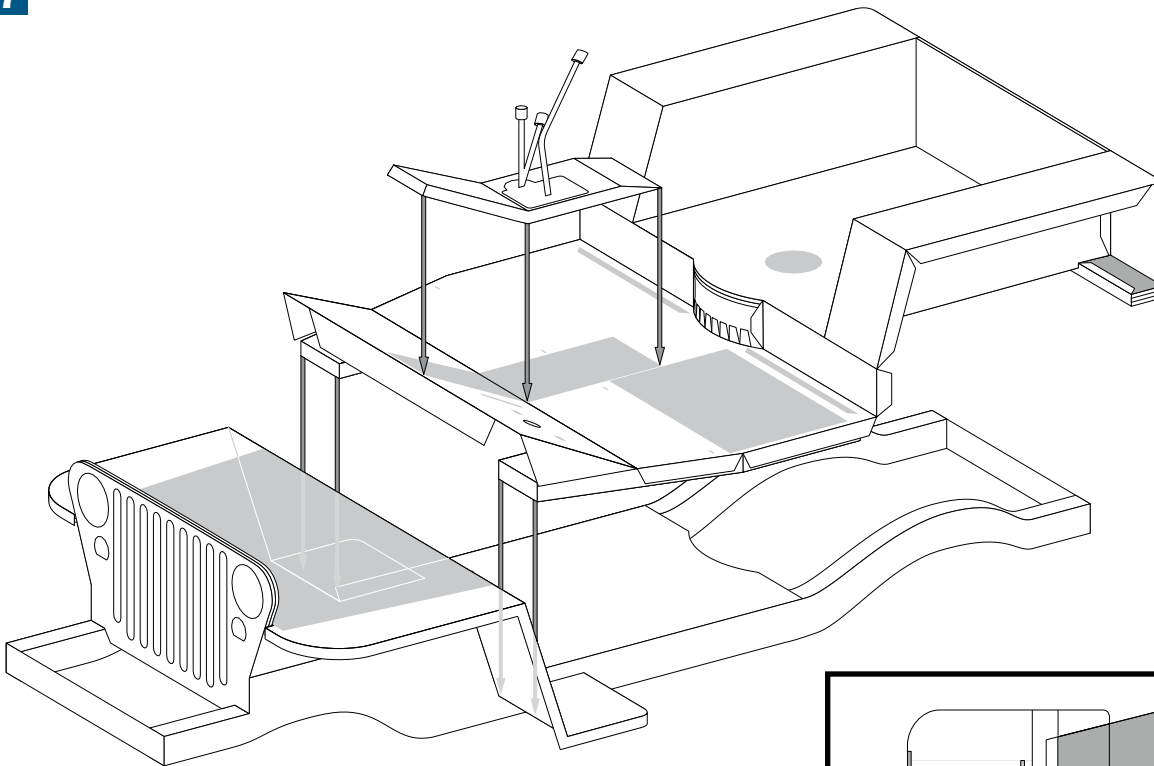
15

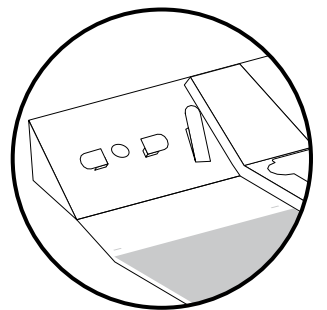
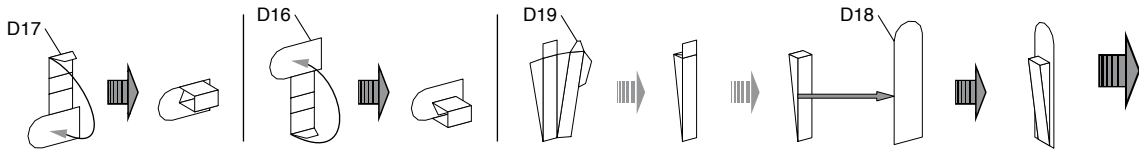
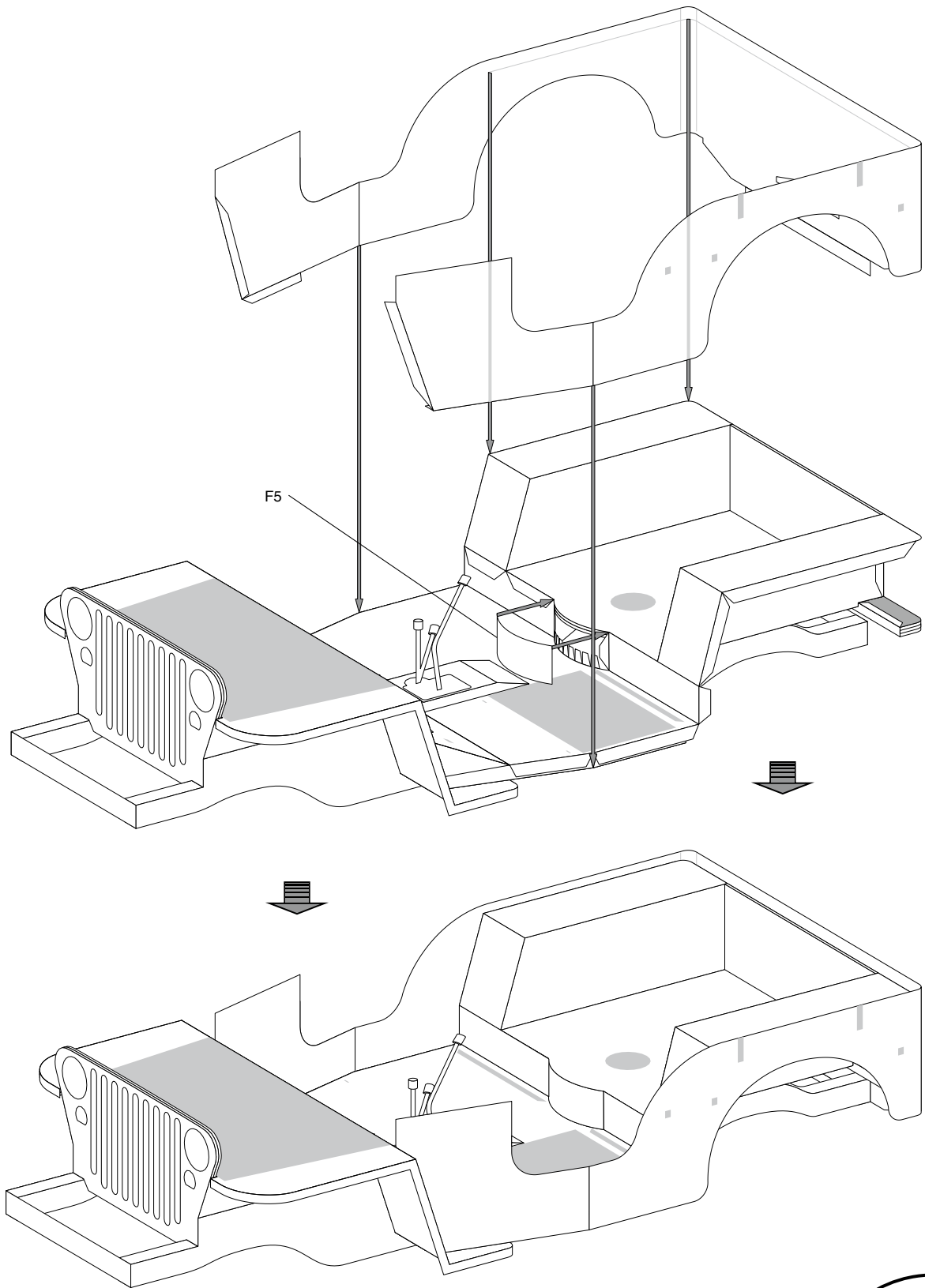


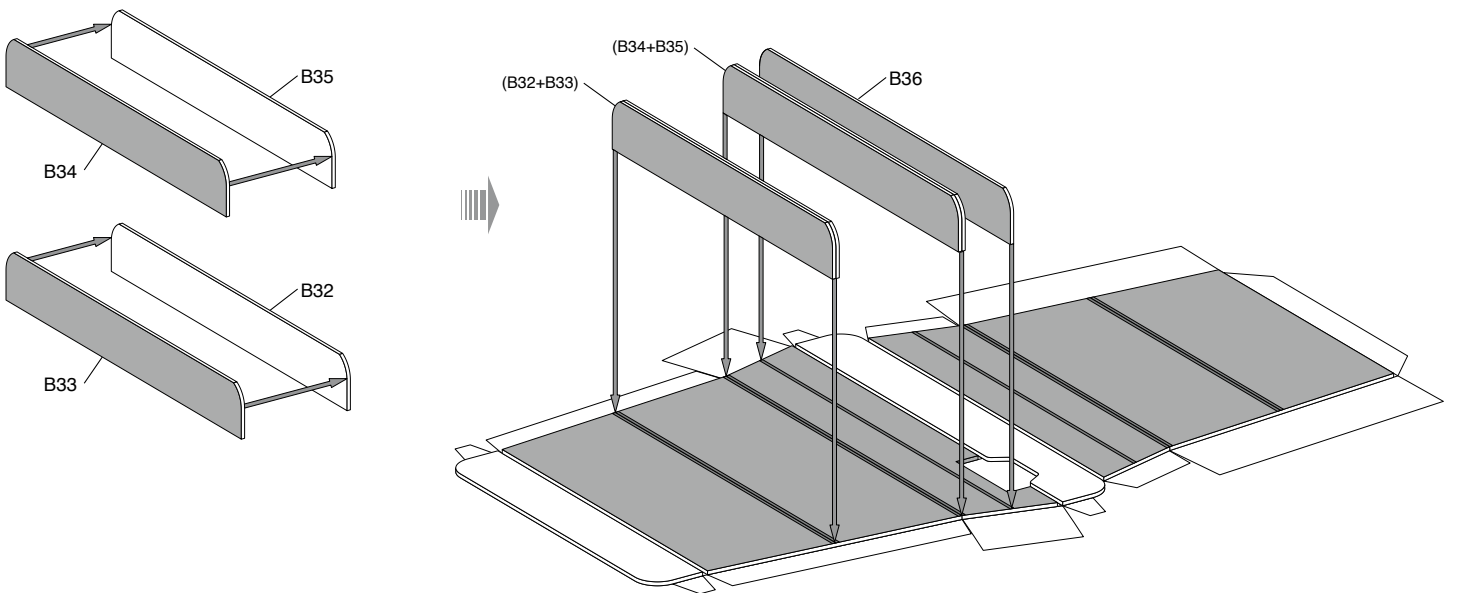
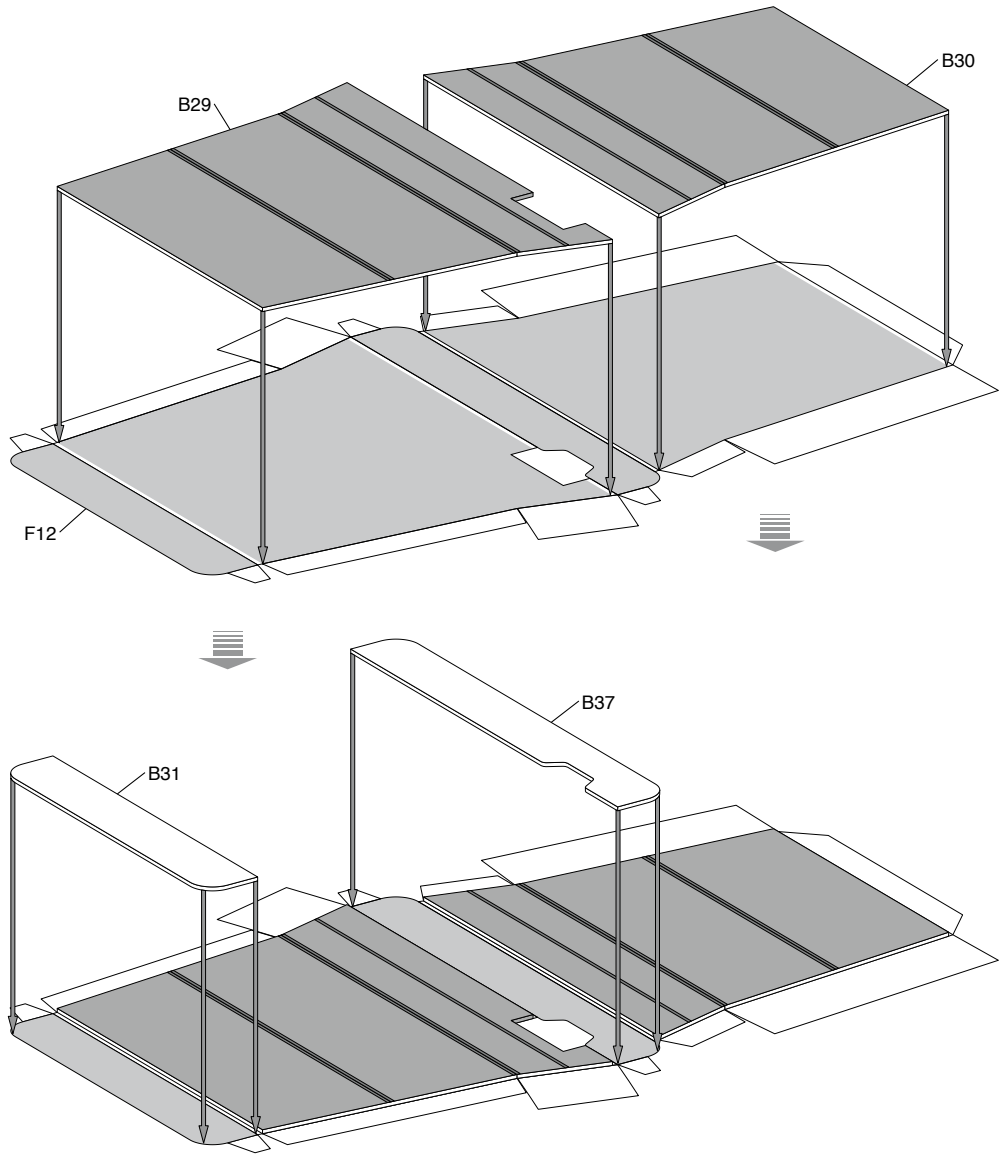
16

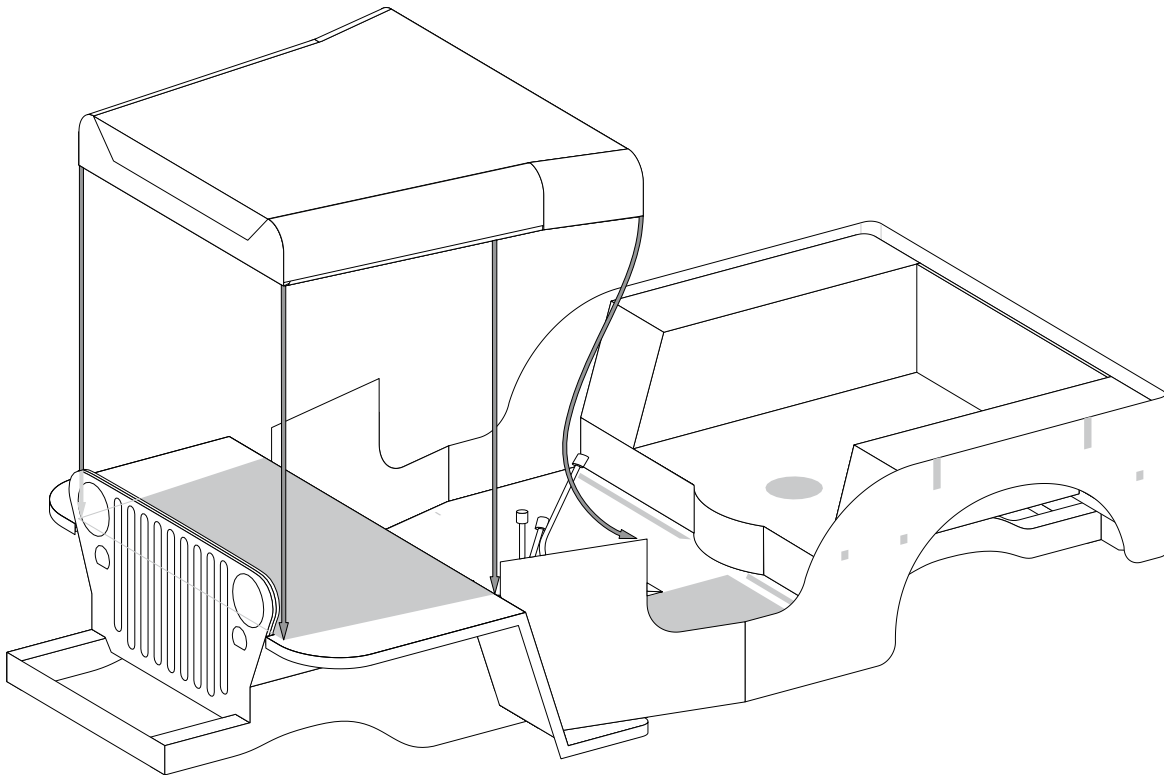
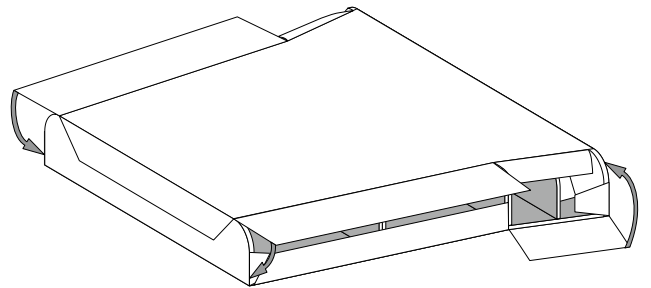
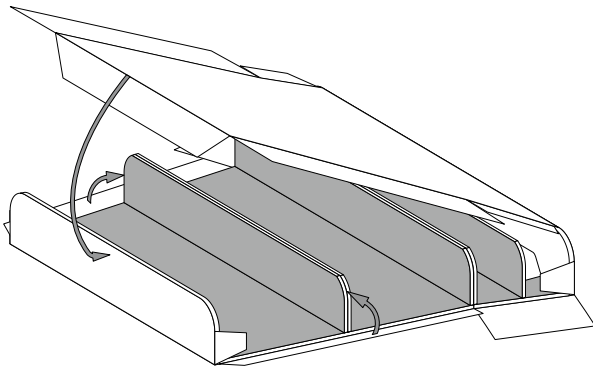
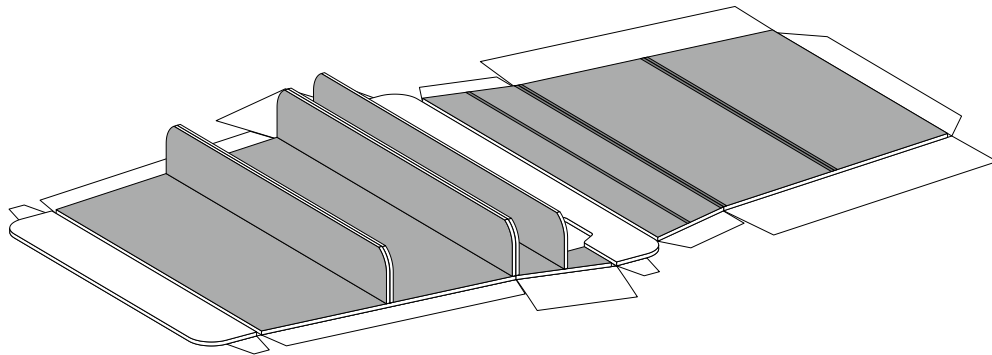


17

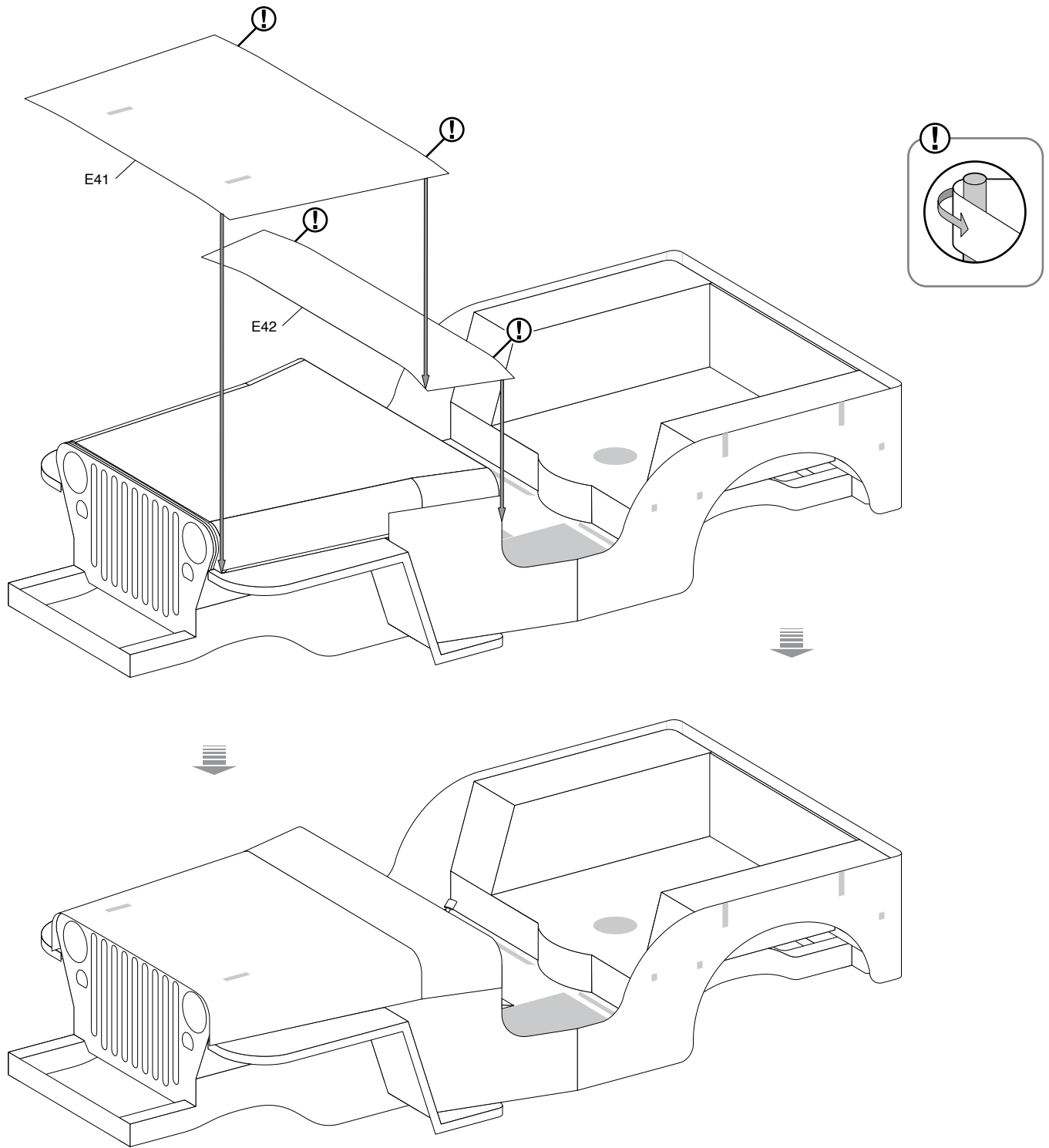




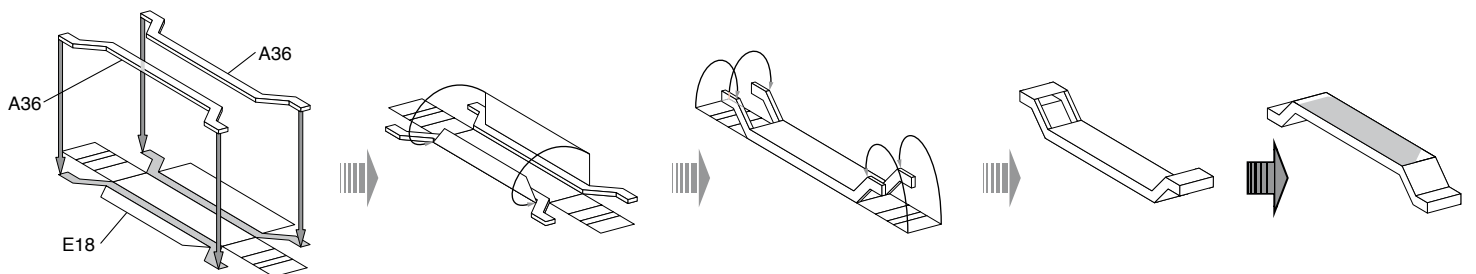


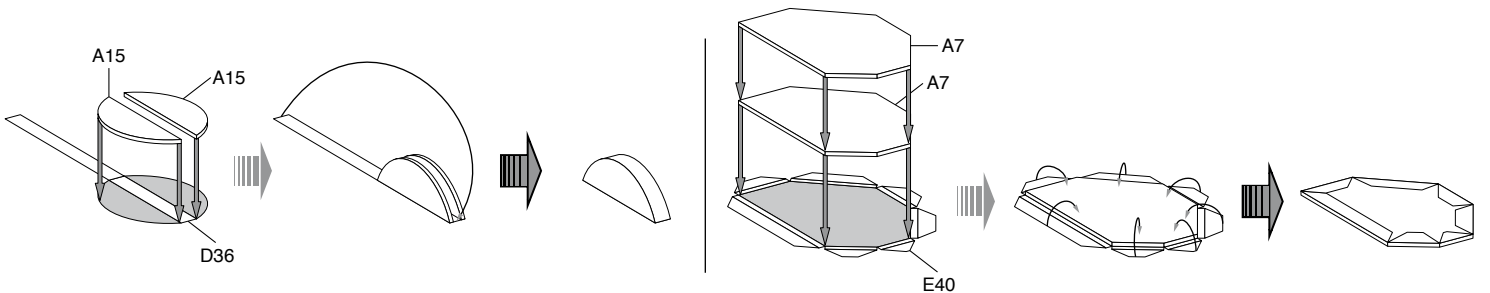
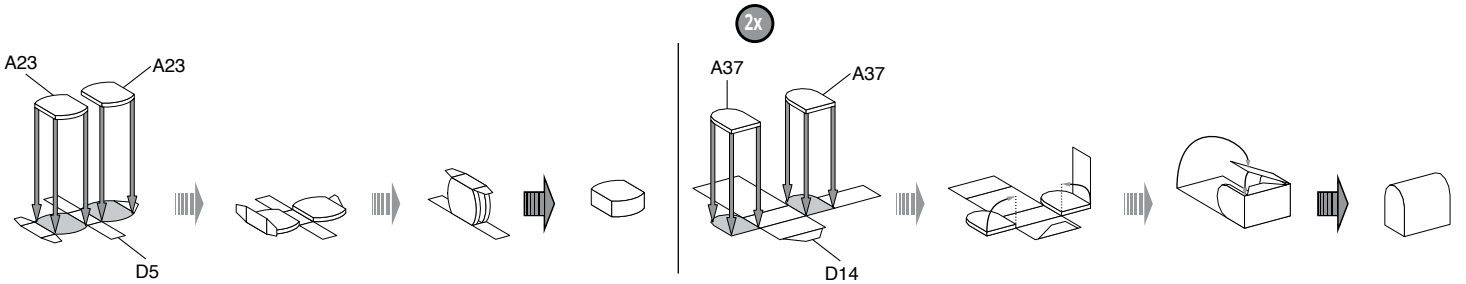
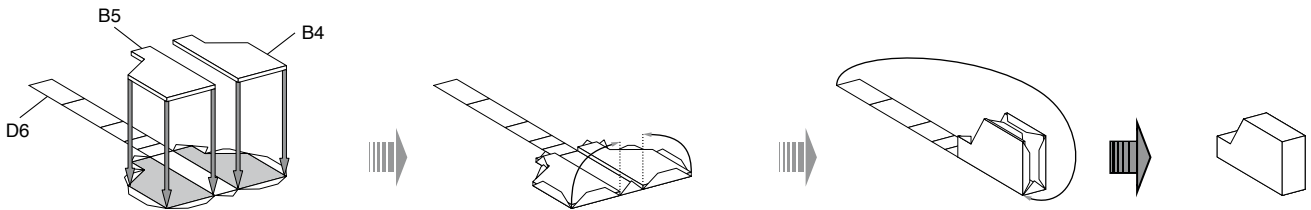
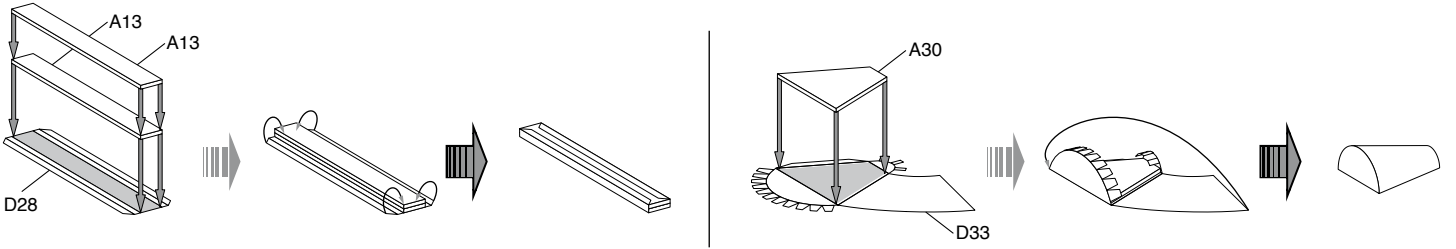
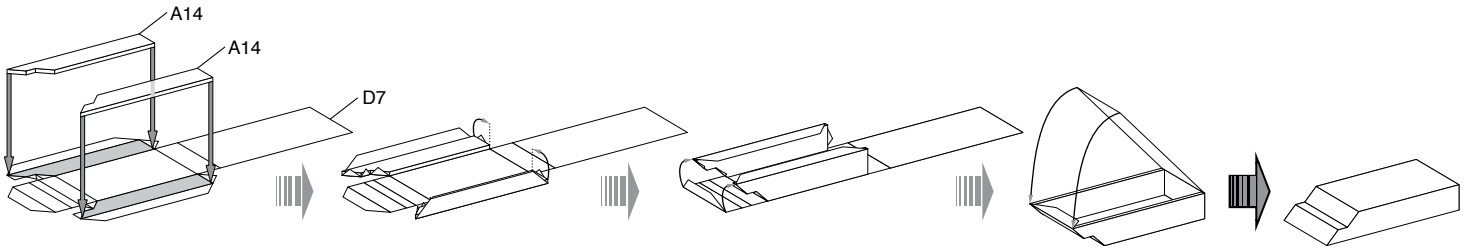
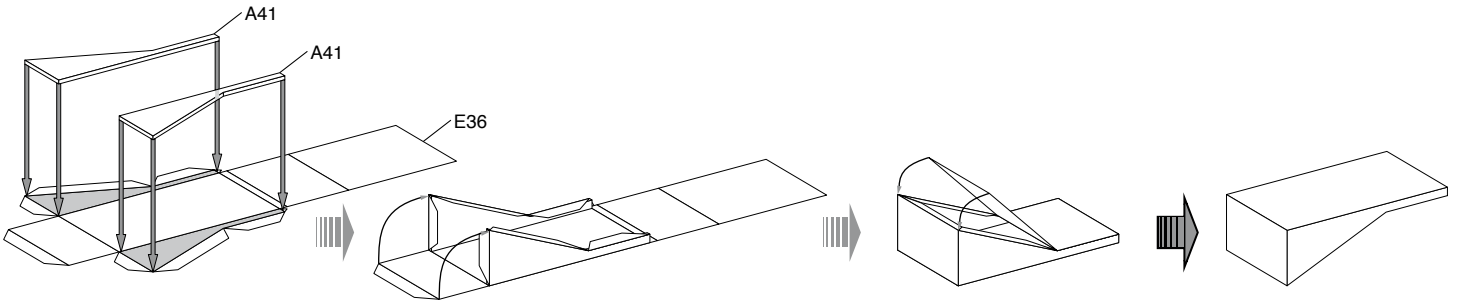


21

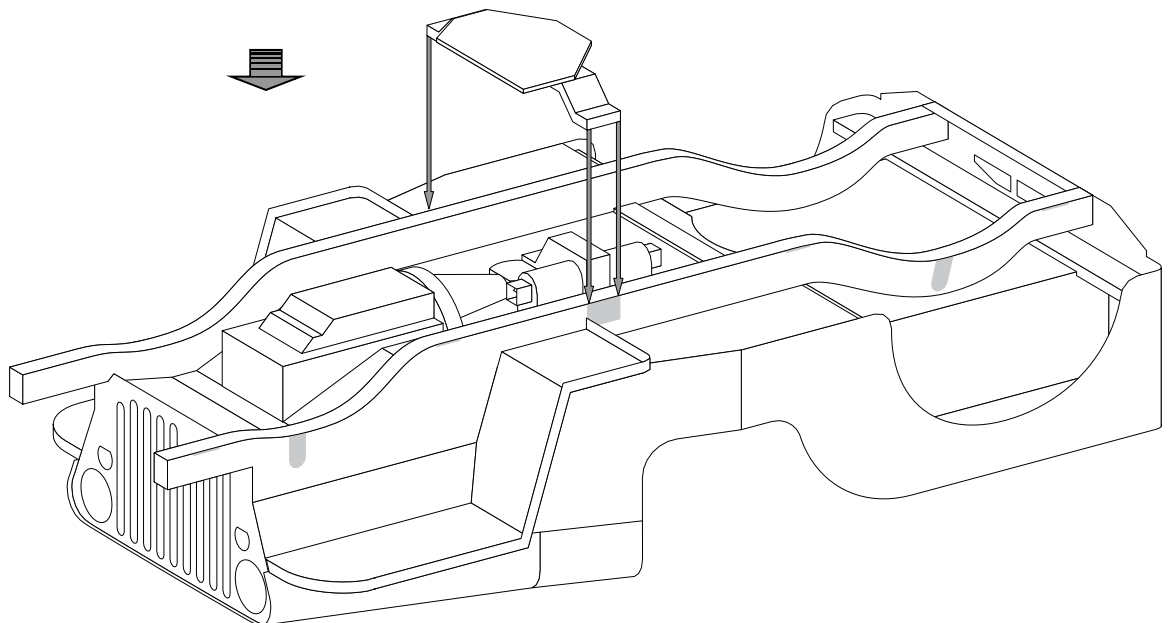
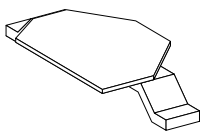
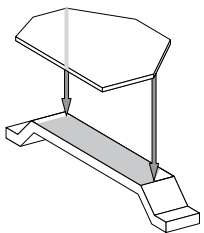
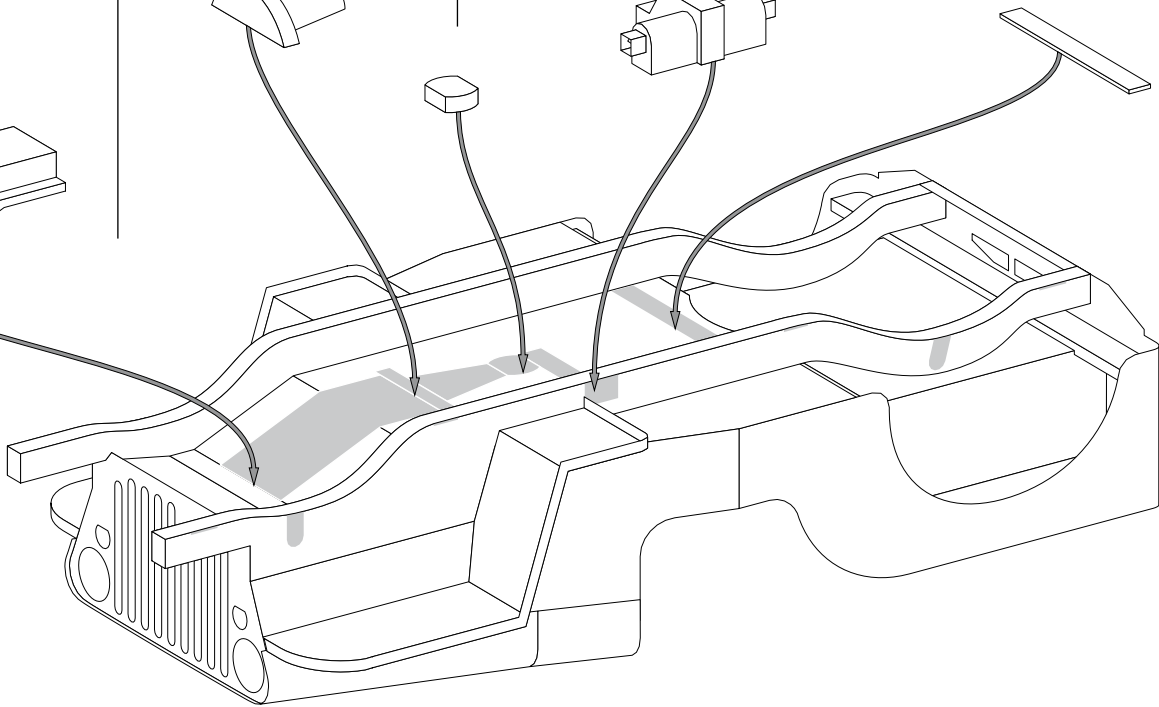
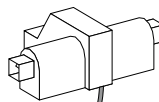
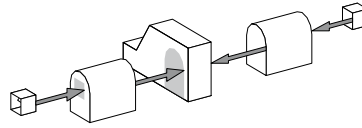
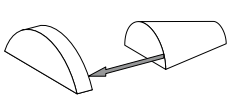
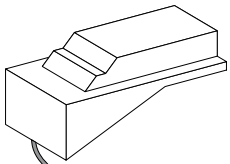
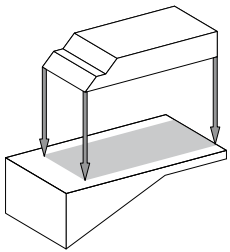
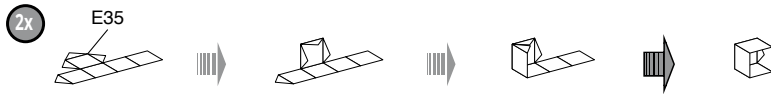


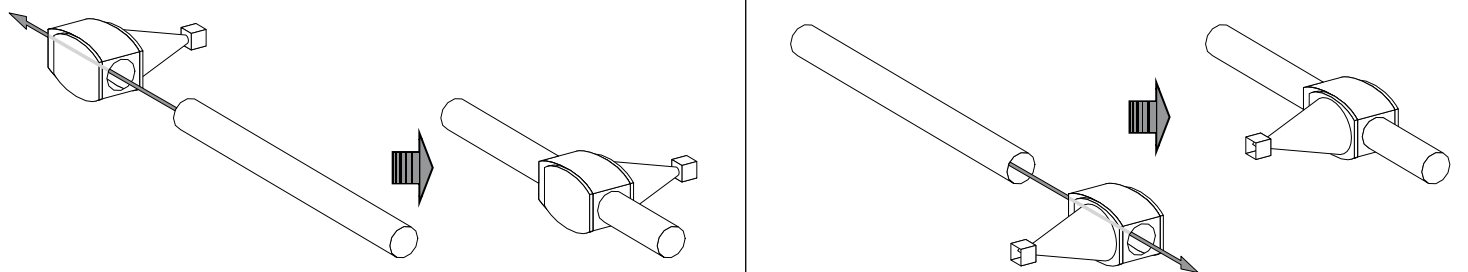
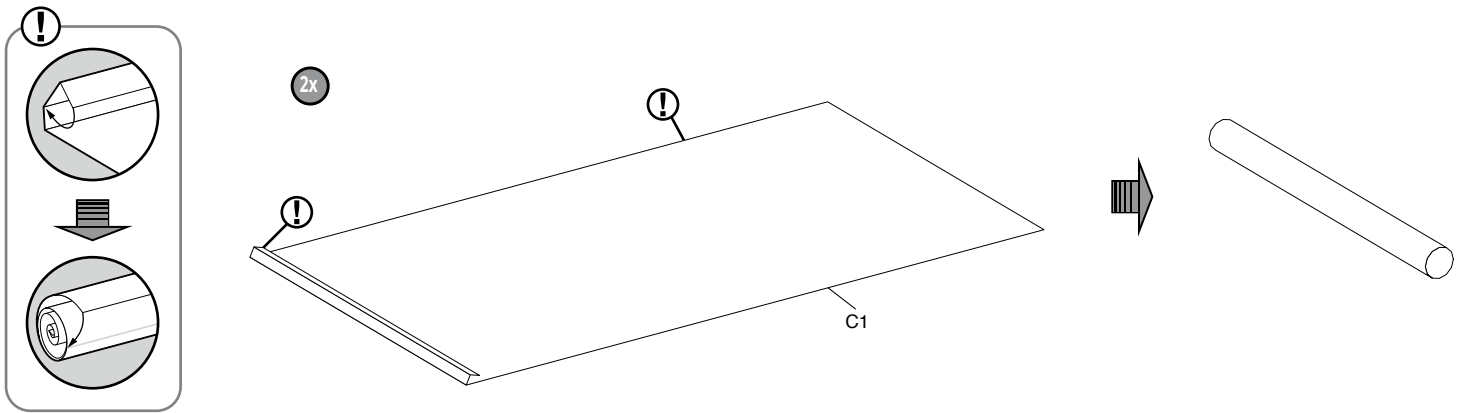
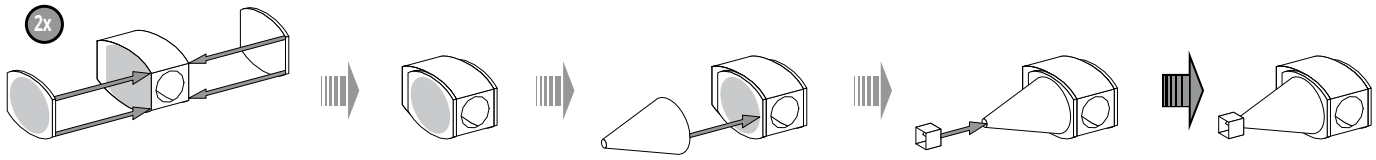
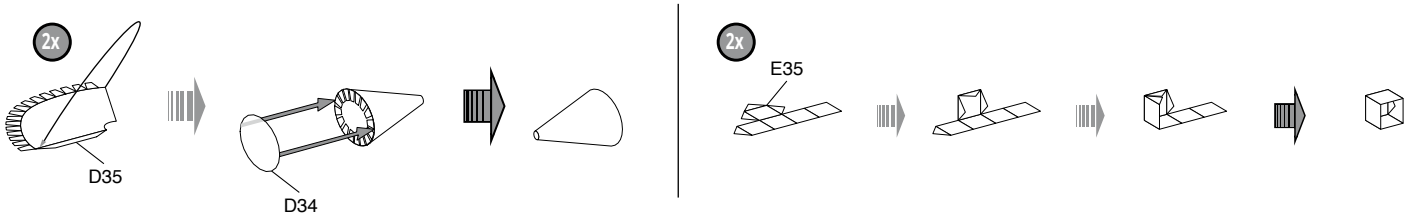
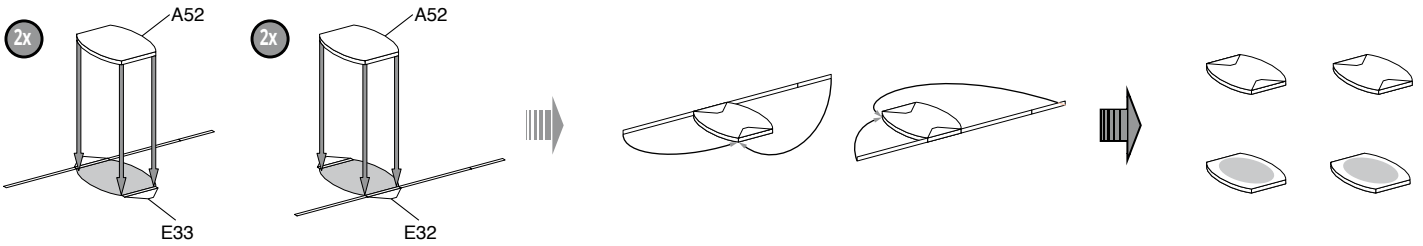
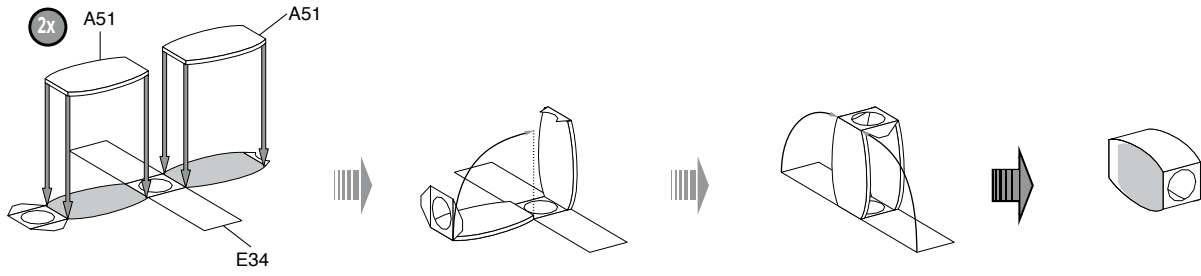
22

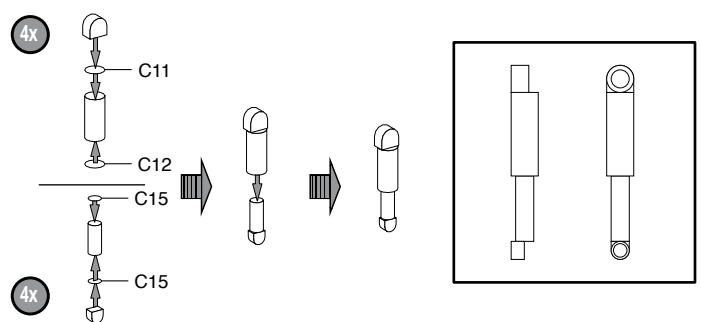
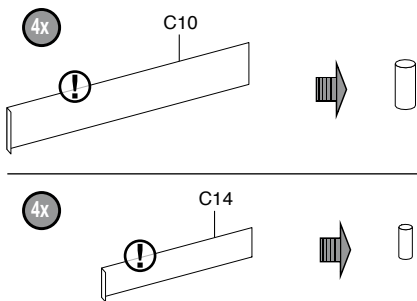
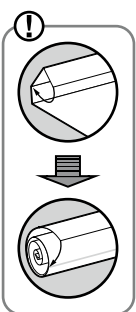
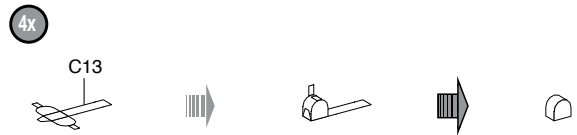
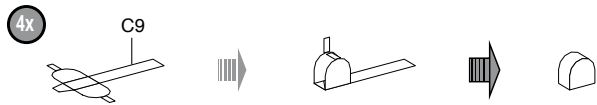
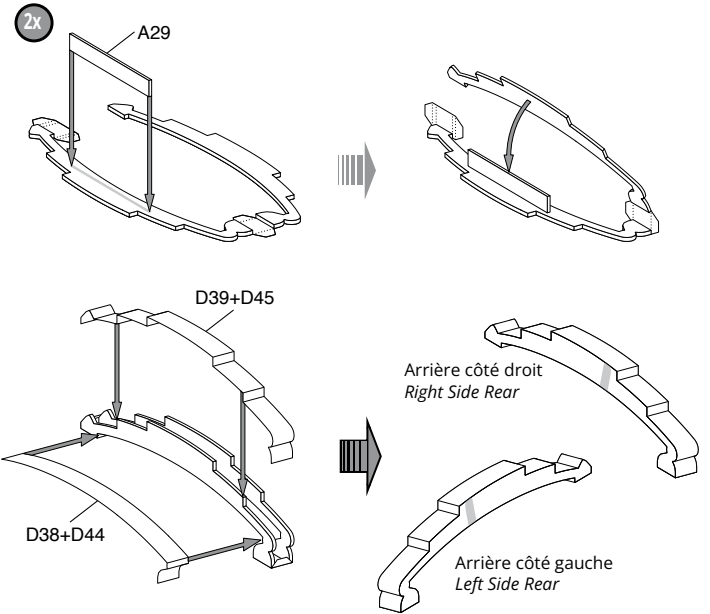
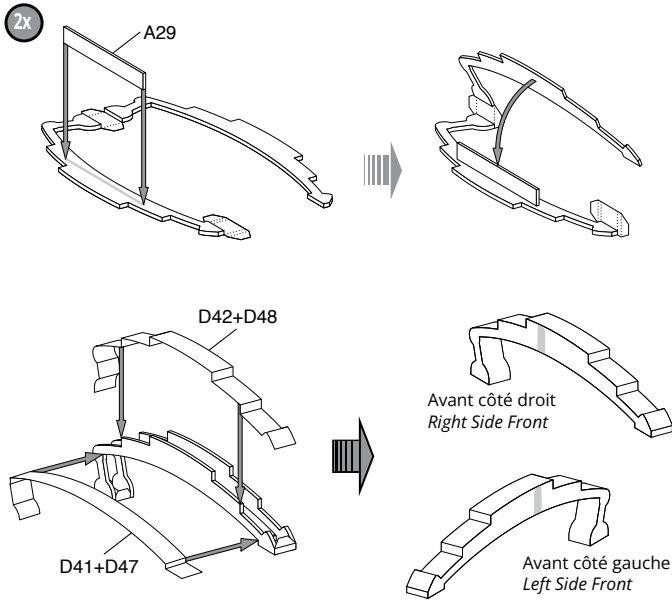
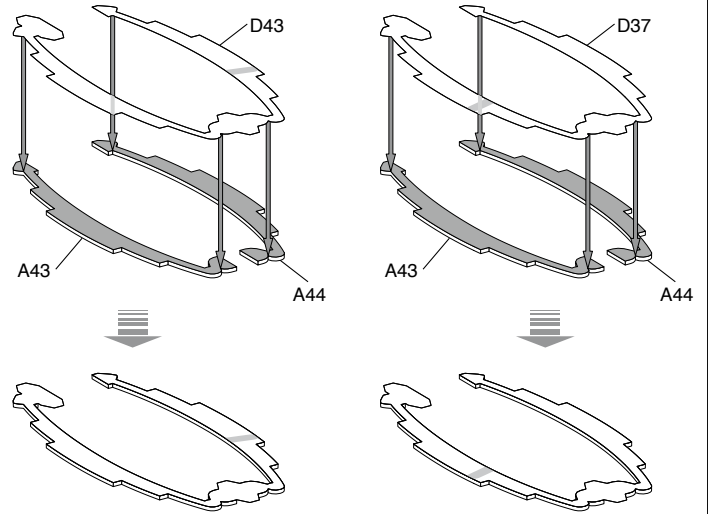
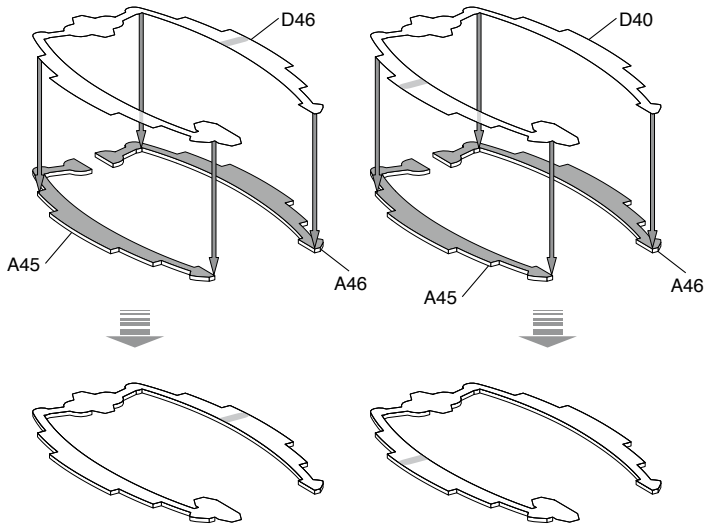


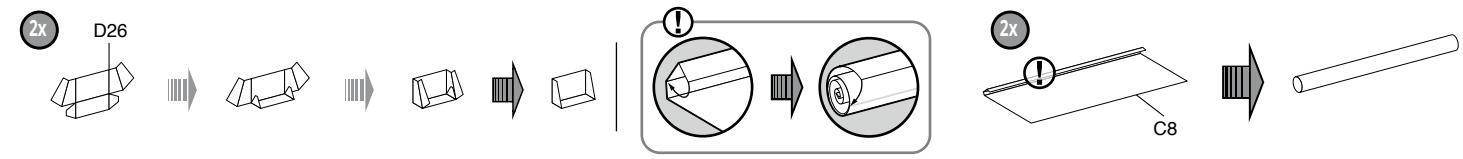
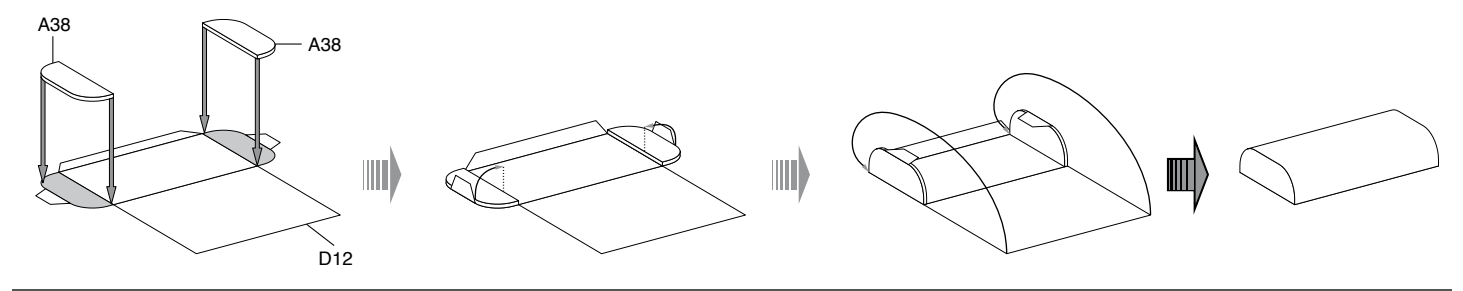
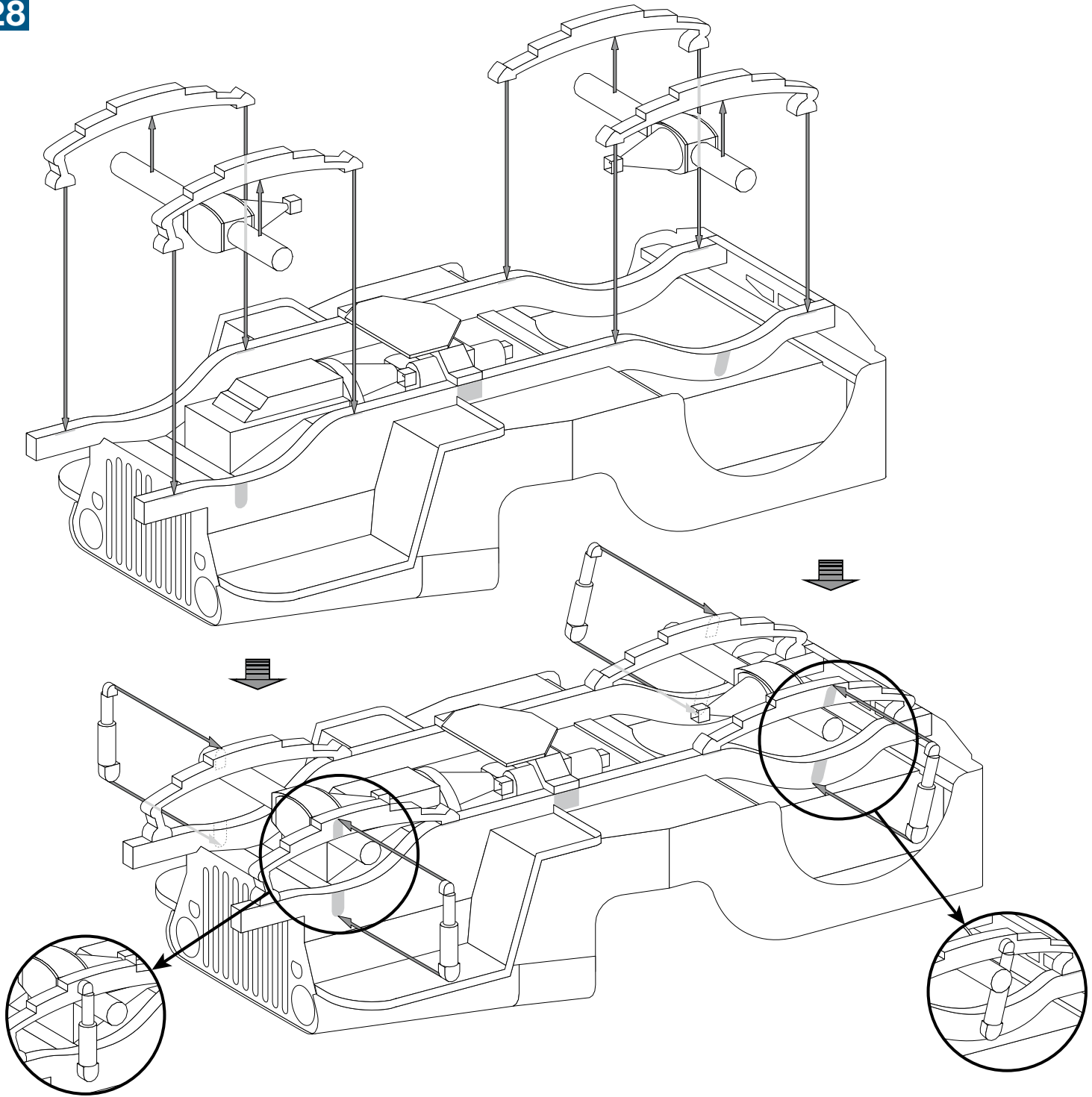


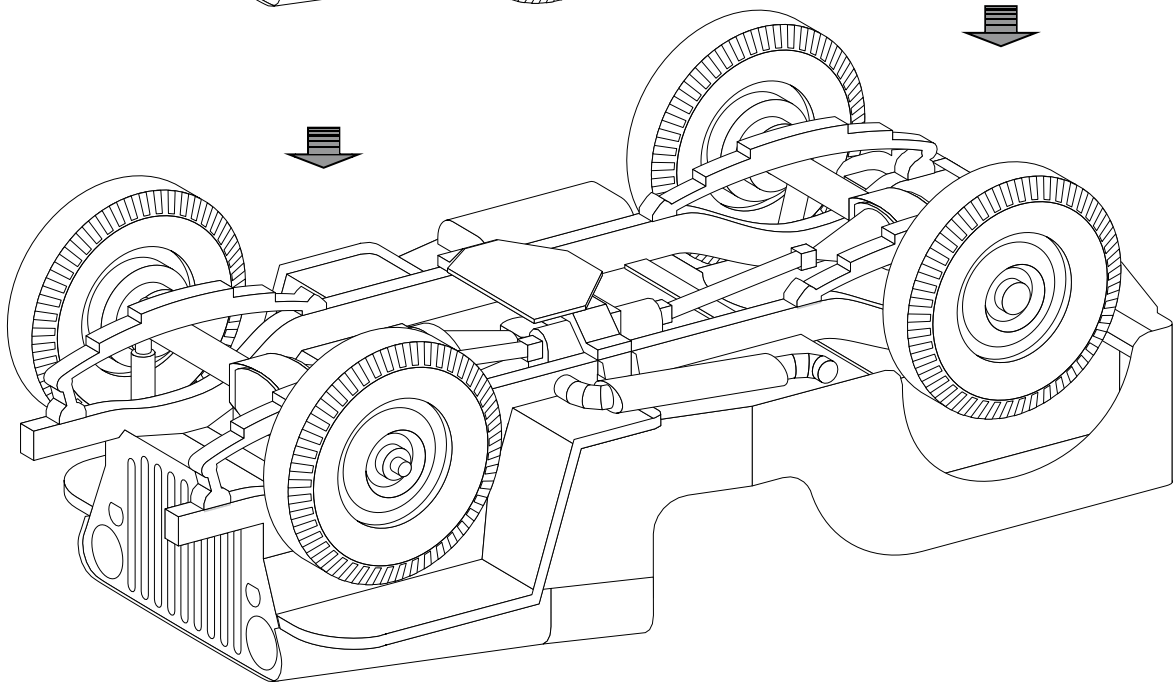
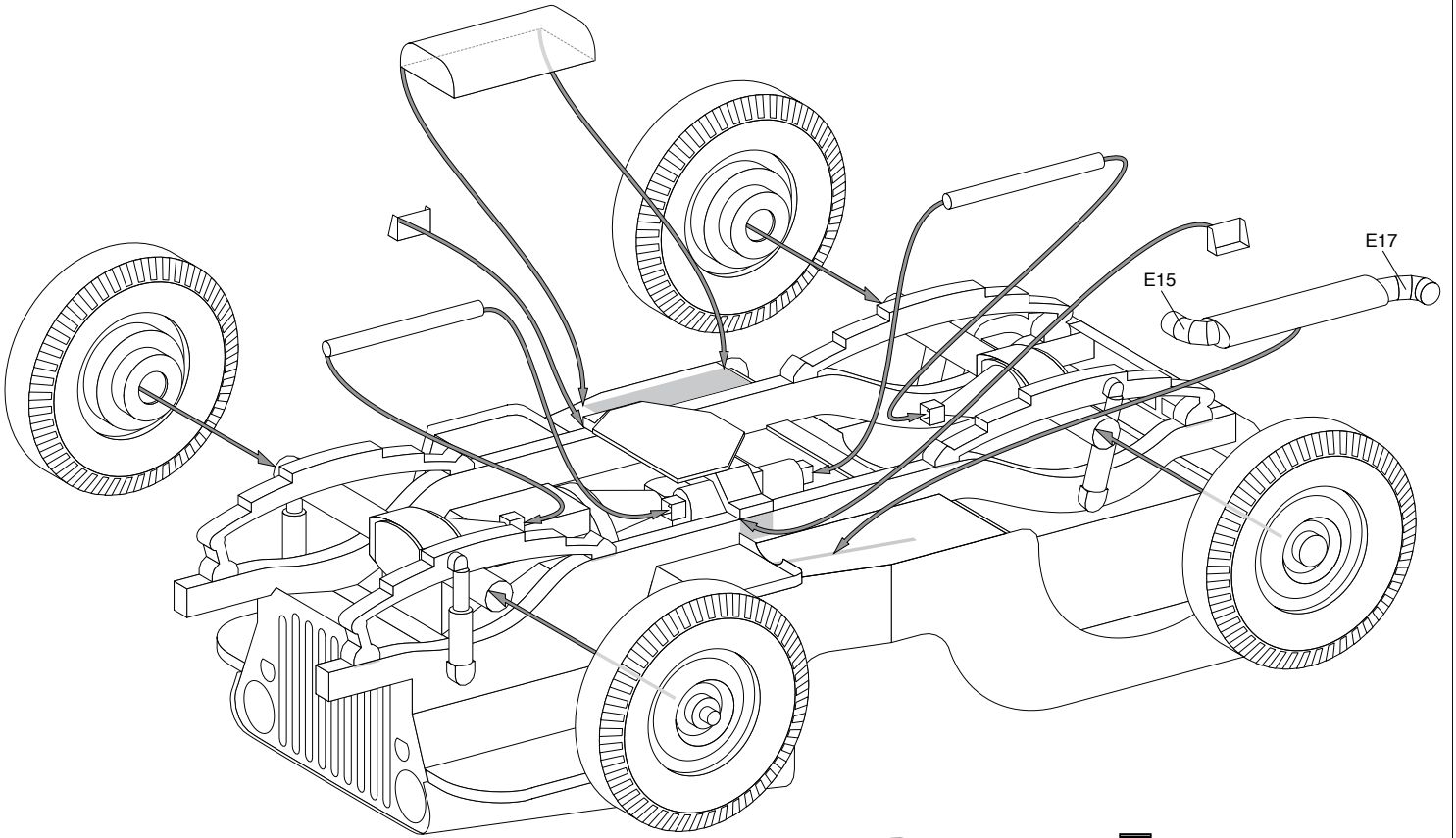
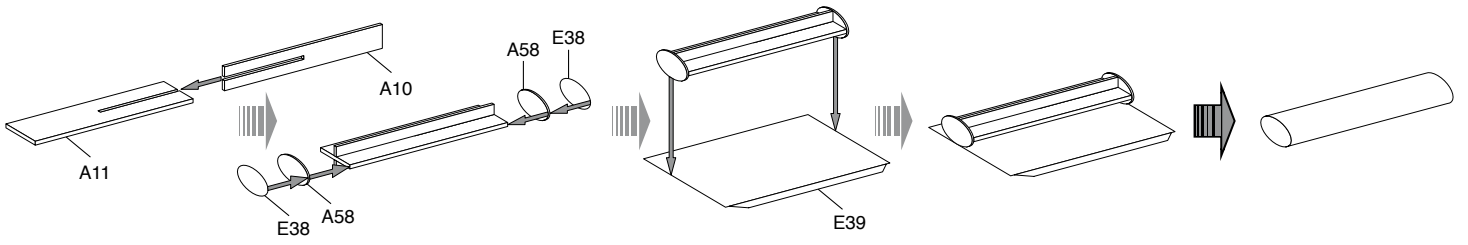


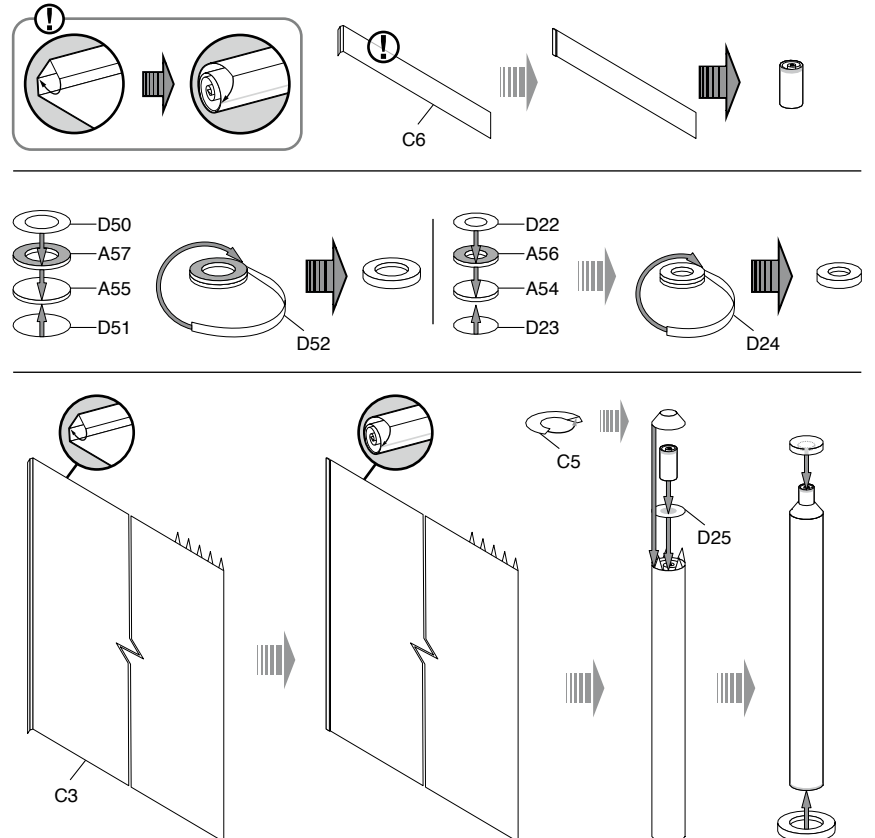
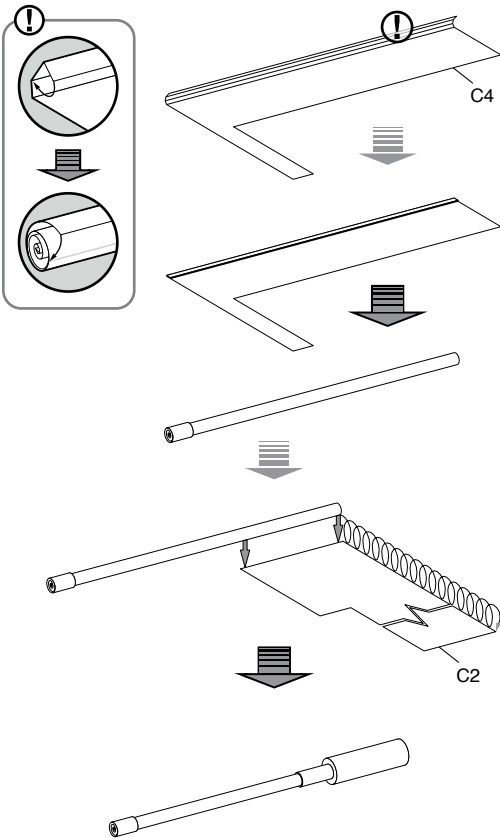
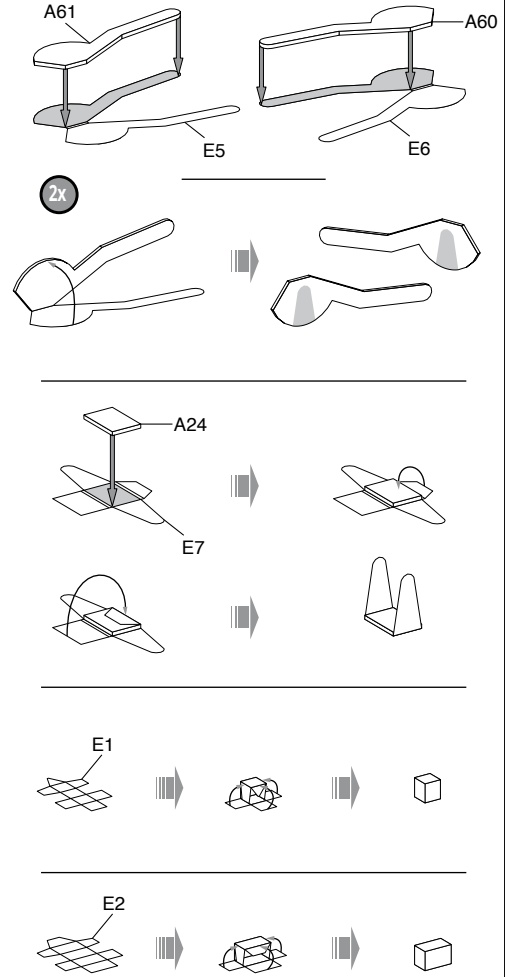
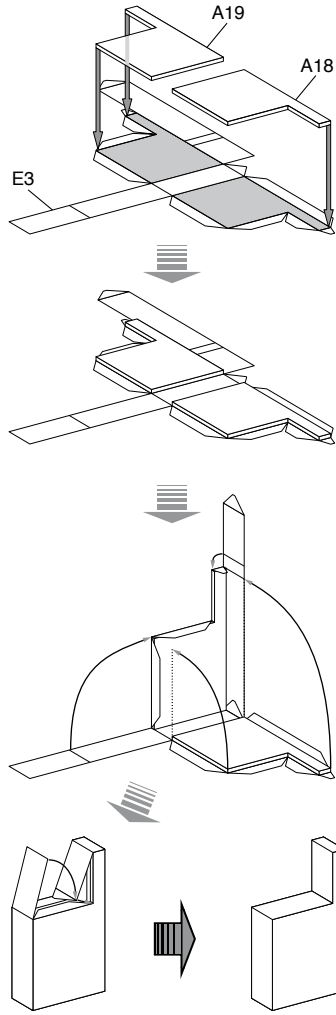
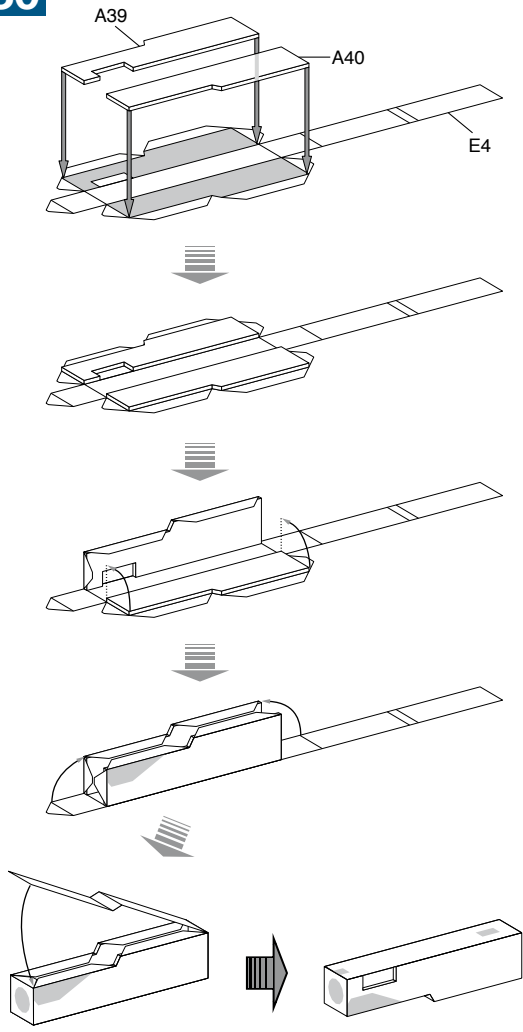




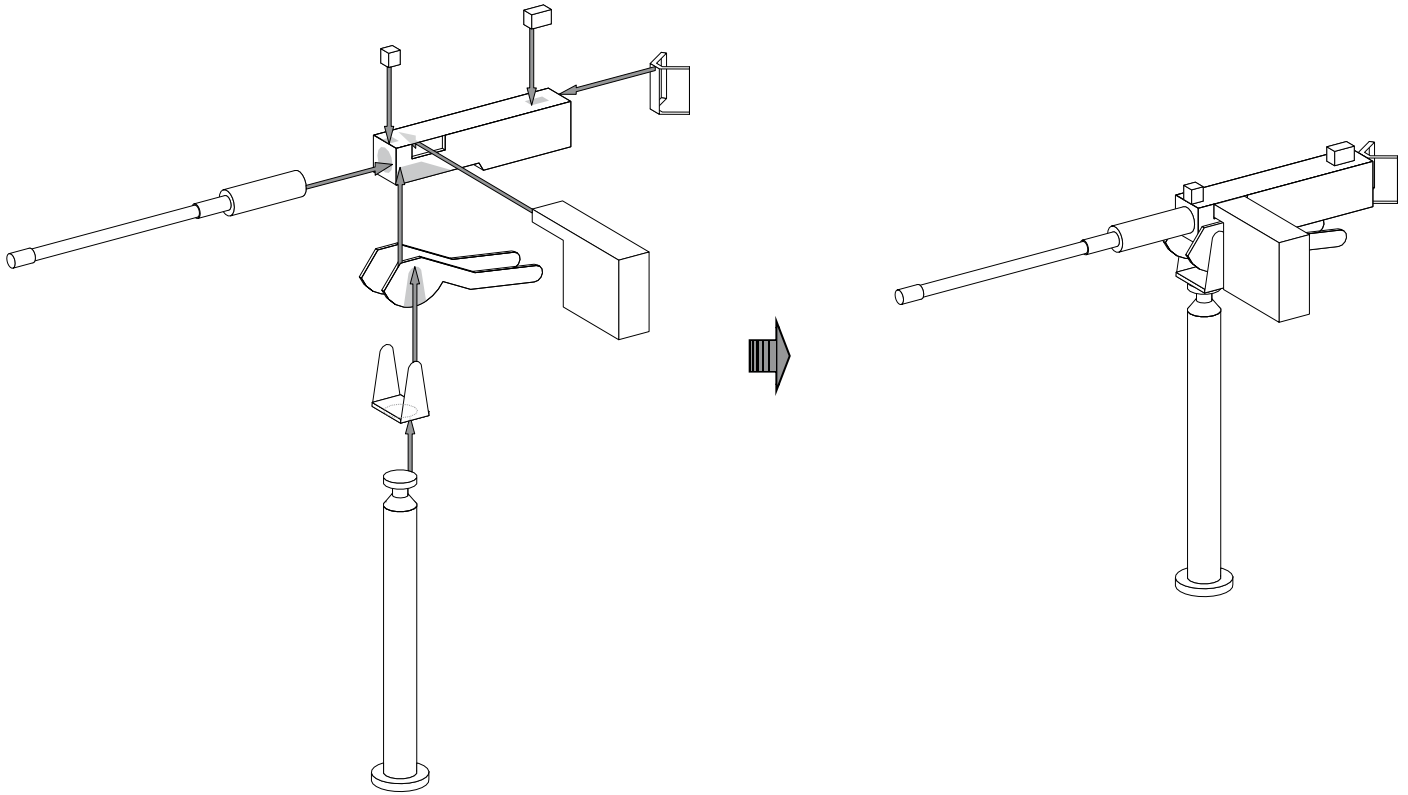
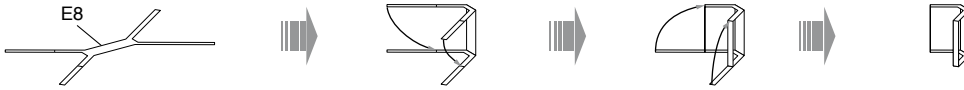




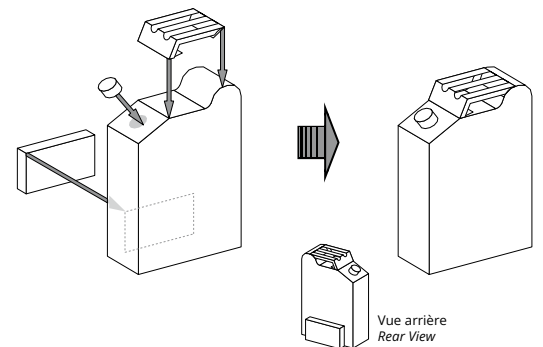
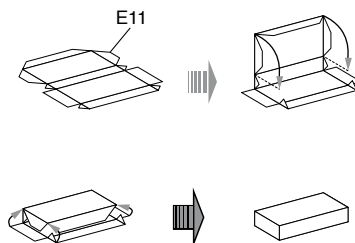
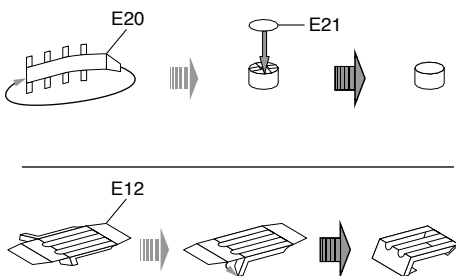
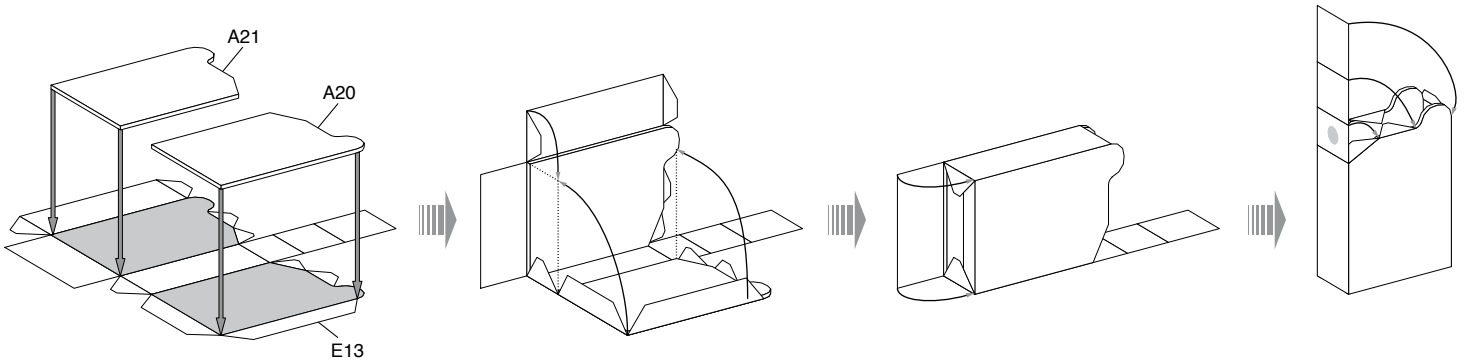




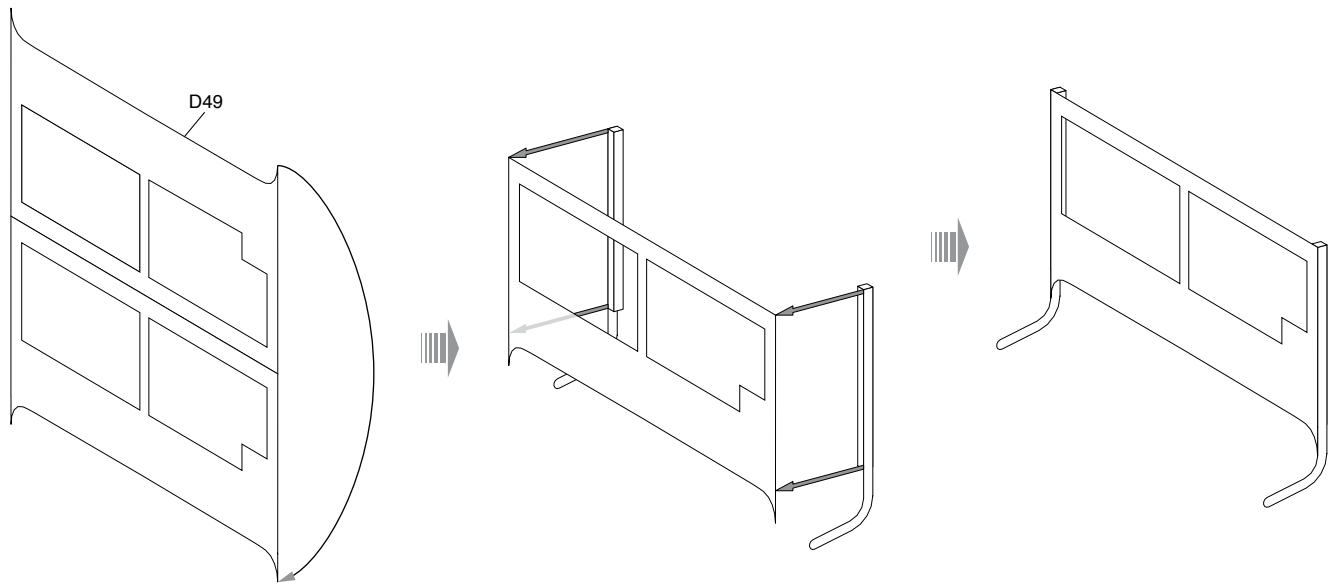
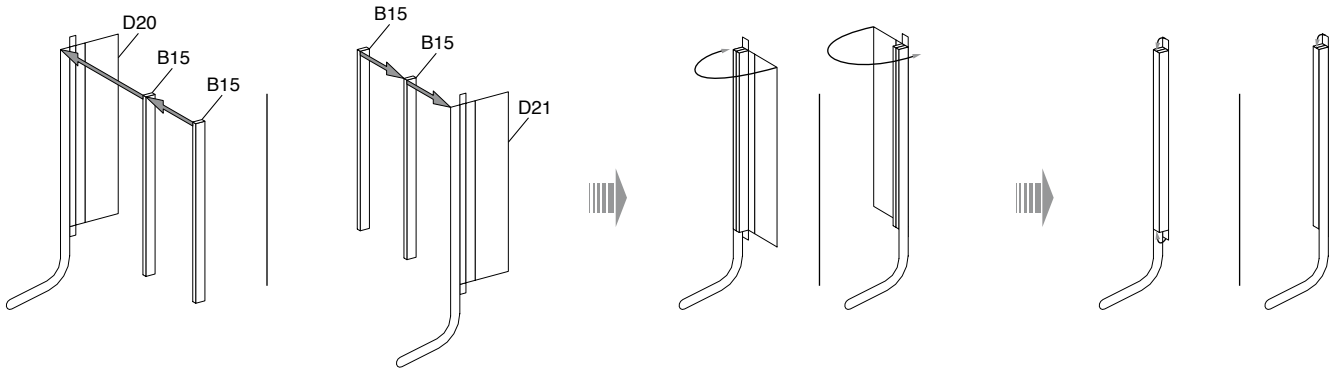
31



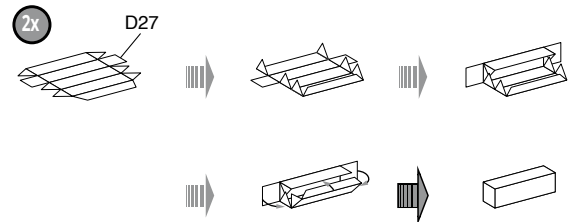
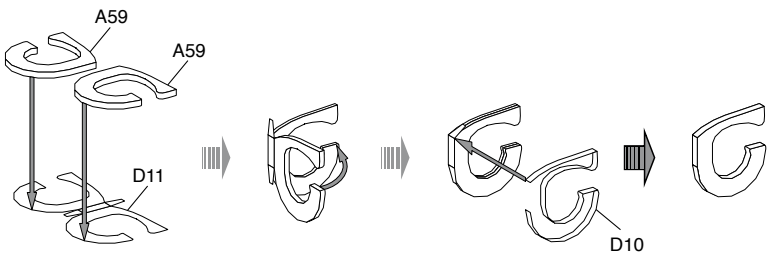
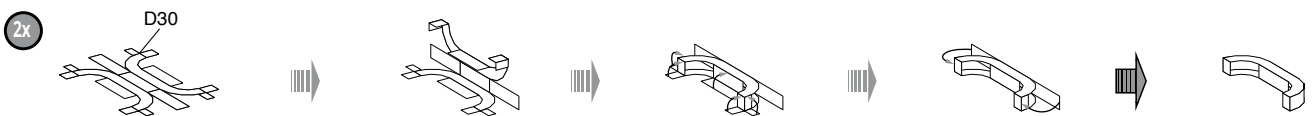
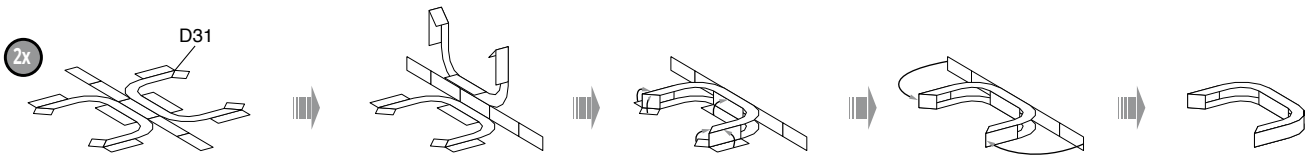
32



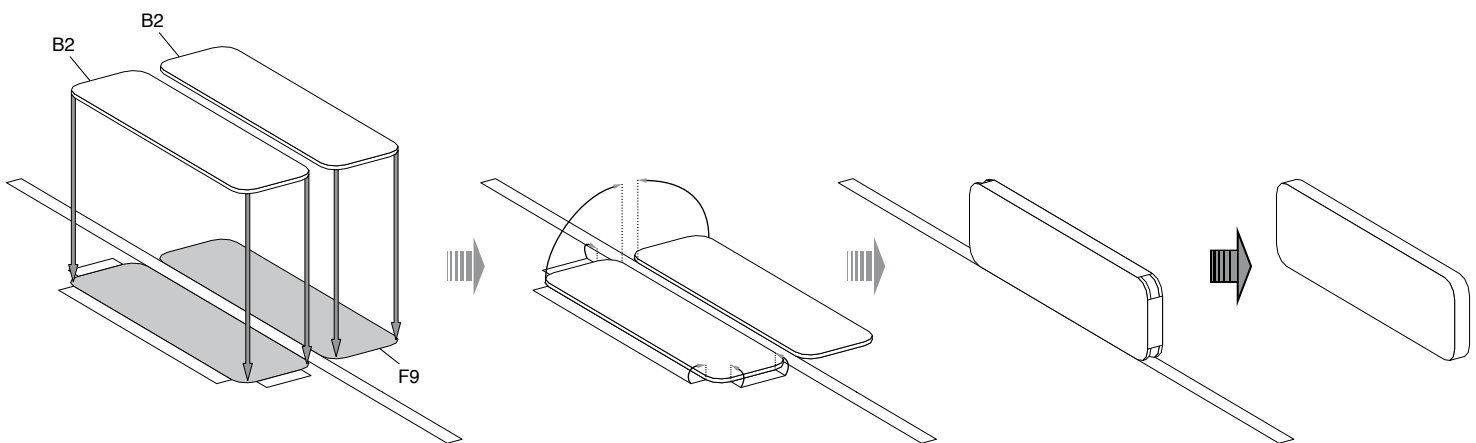
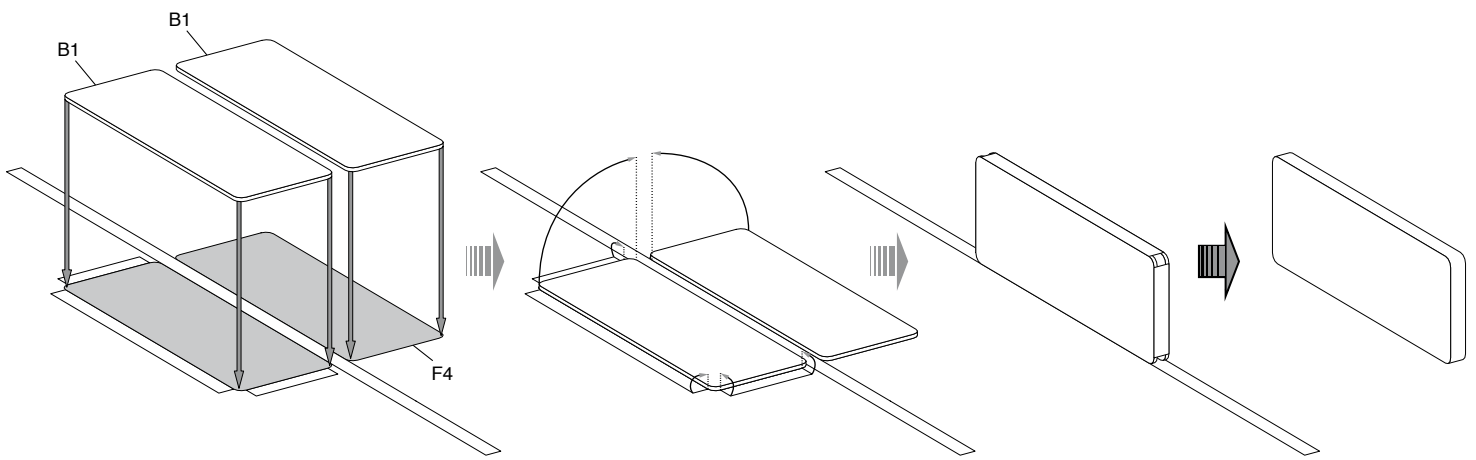
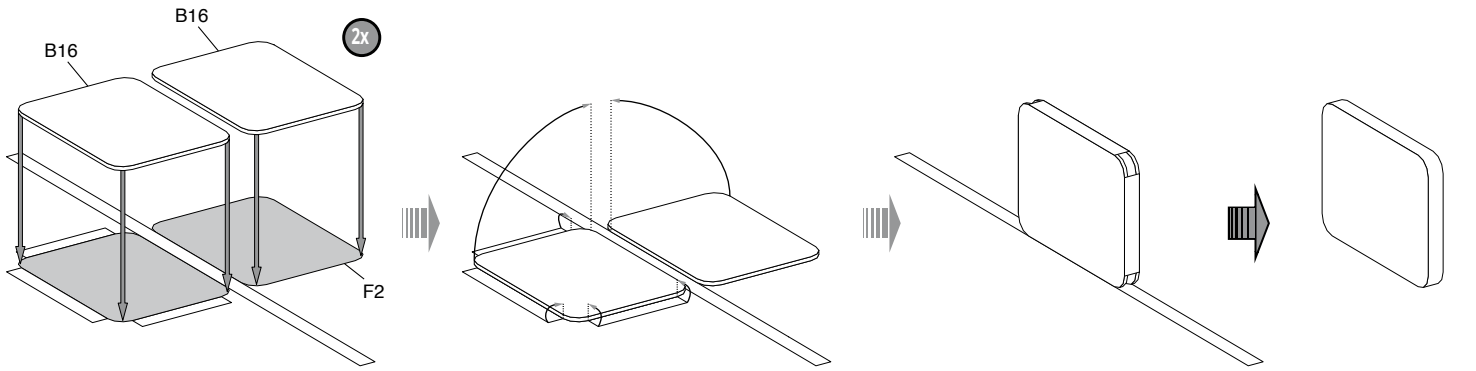
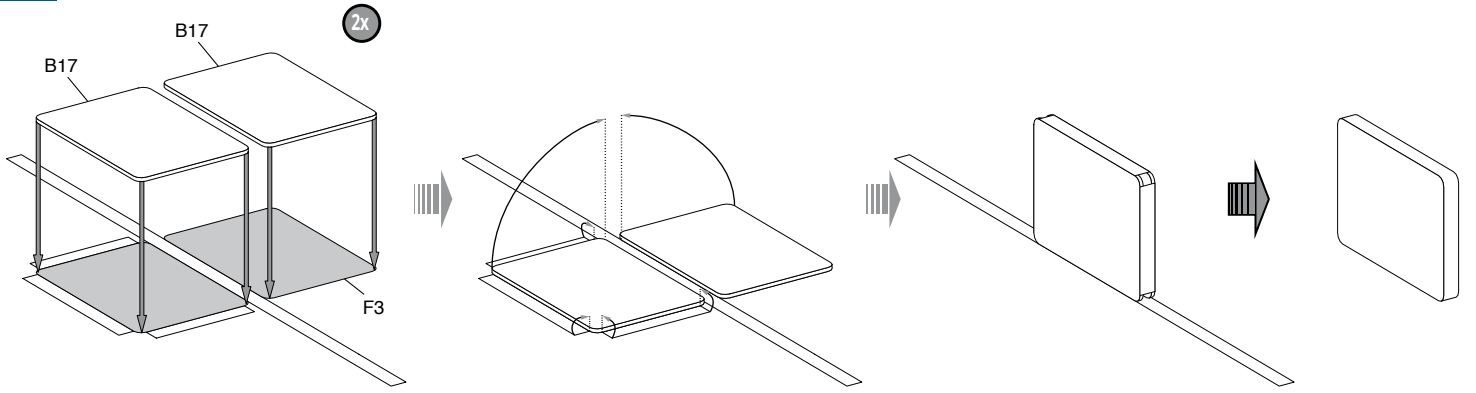
33



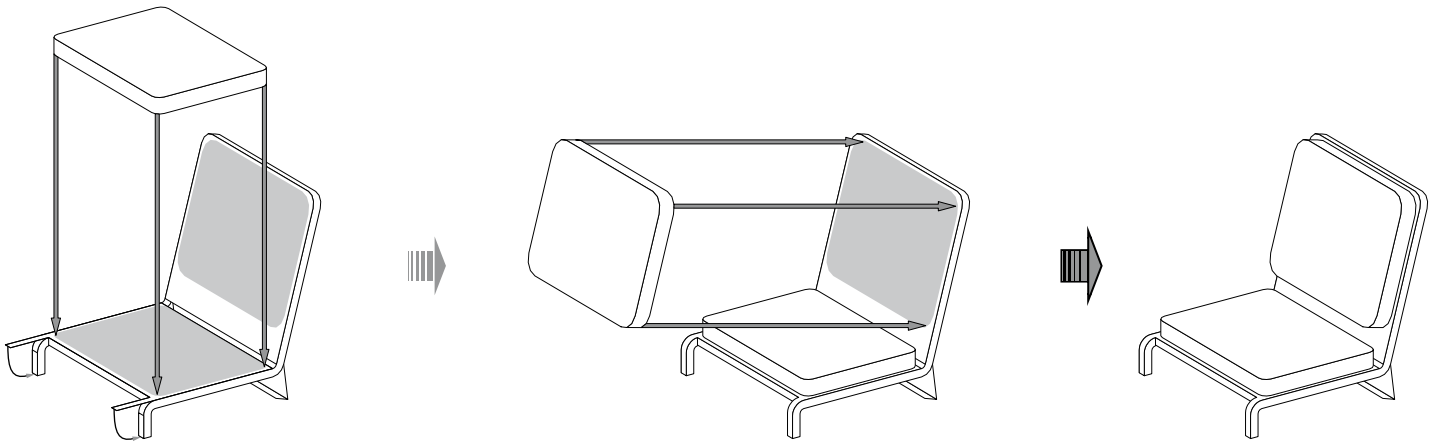
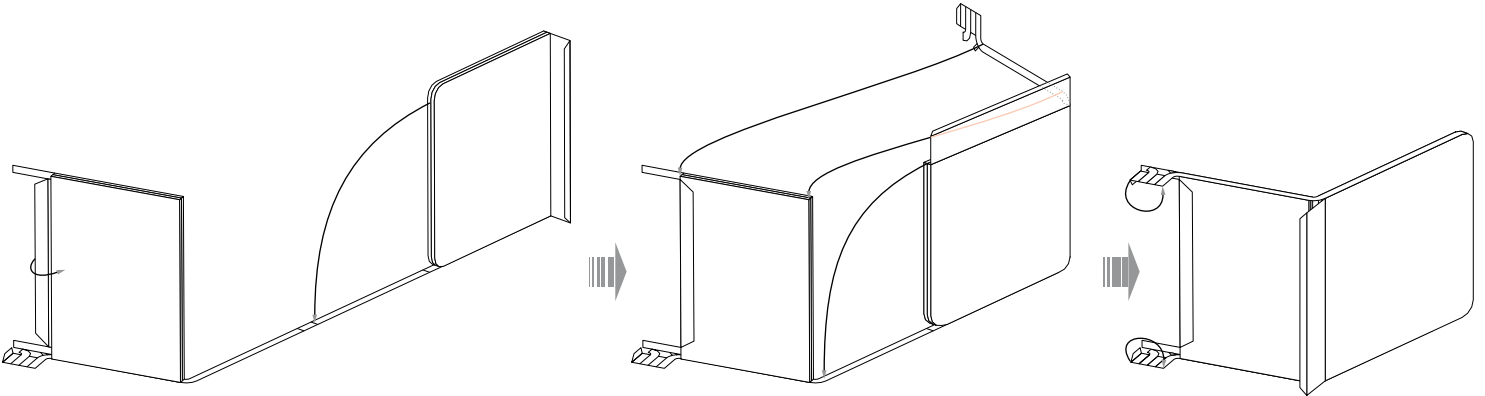
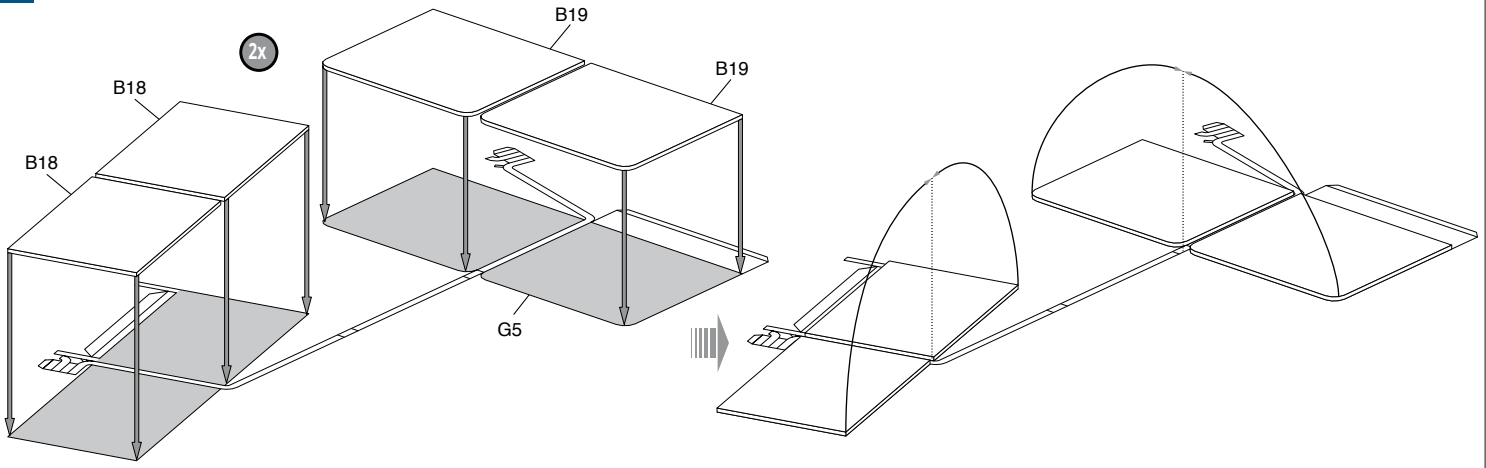
34



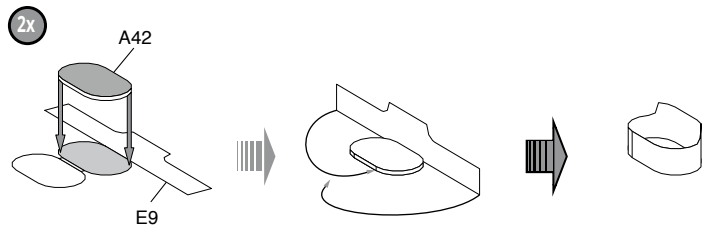
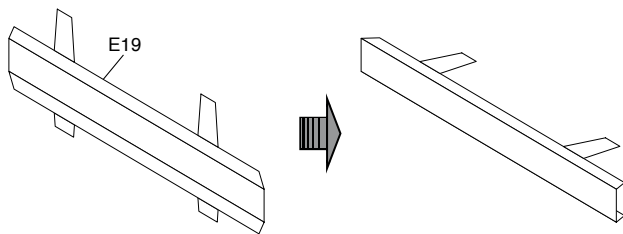


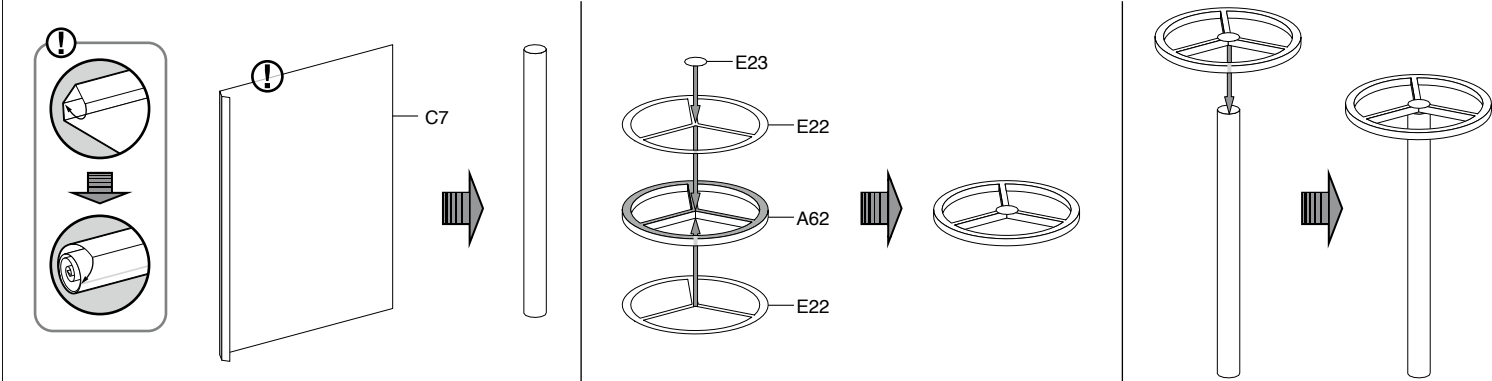
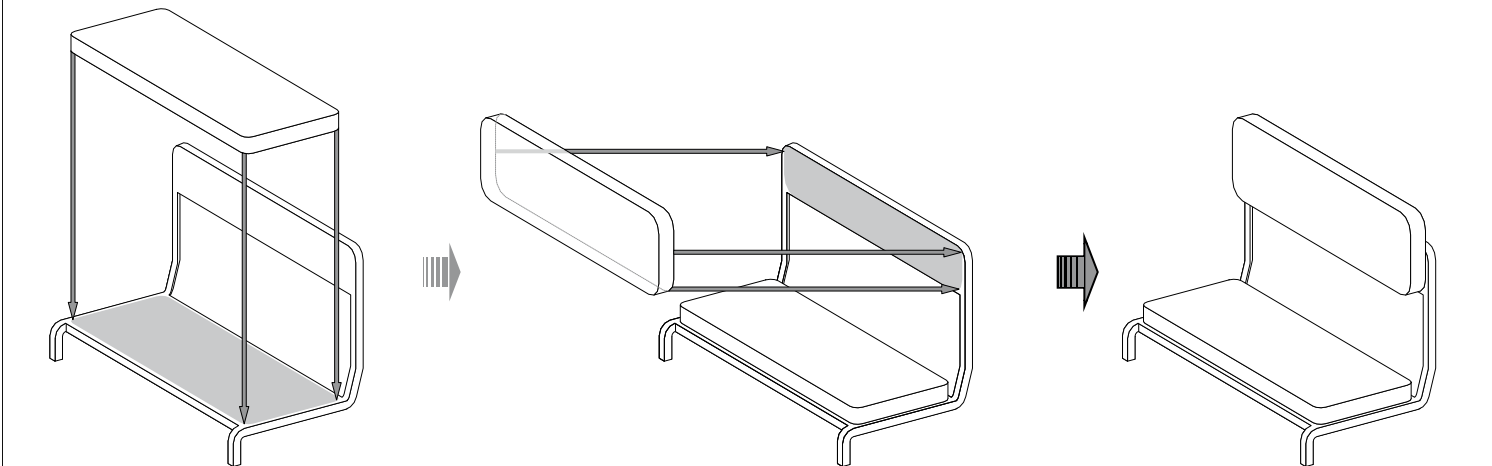
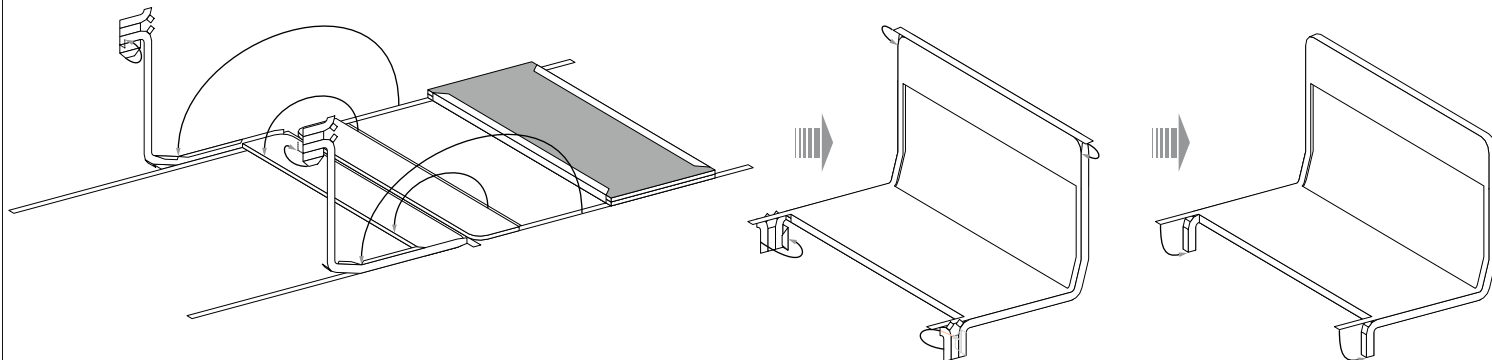
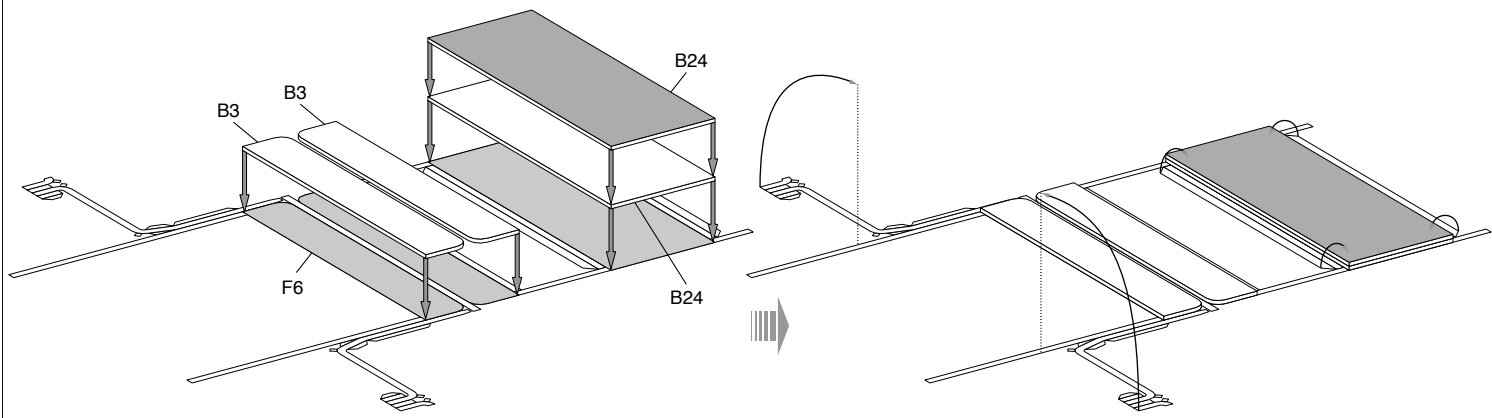


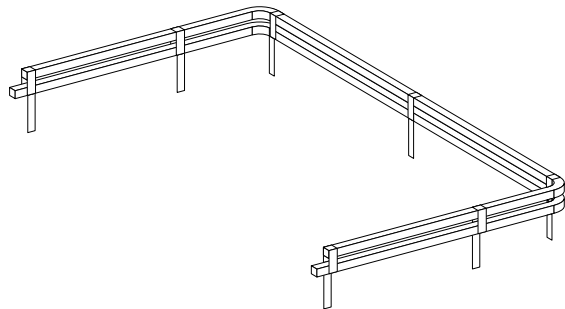
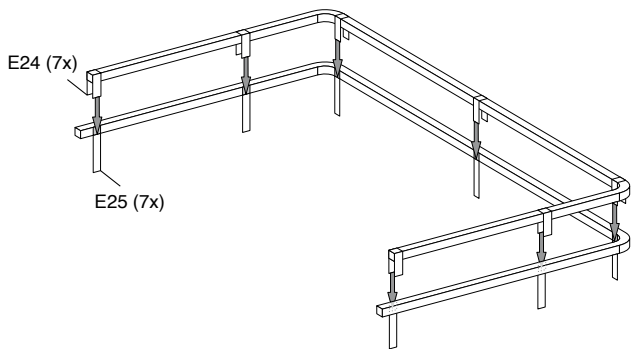
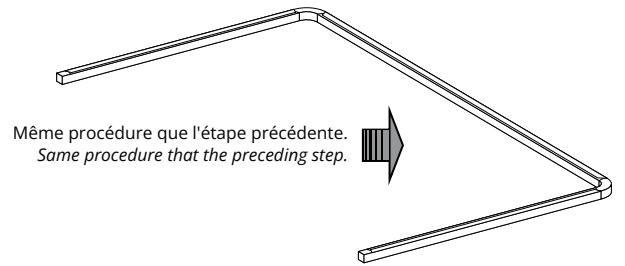
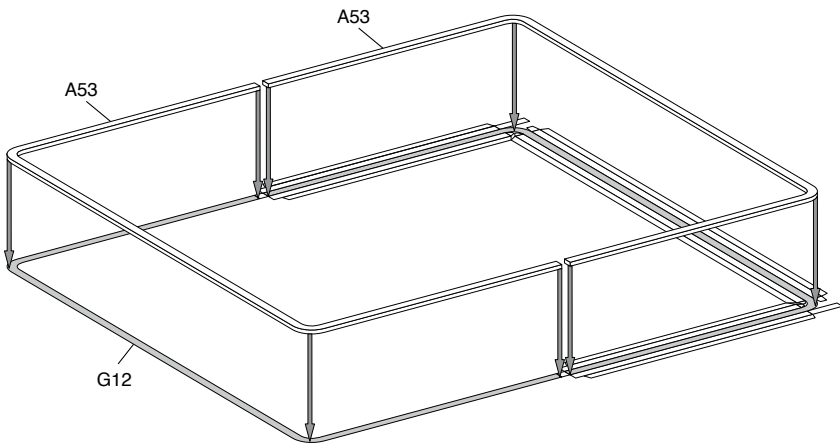
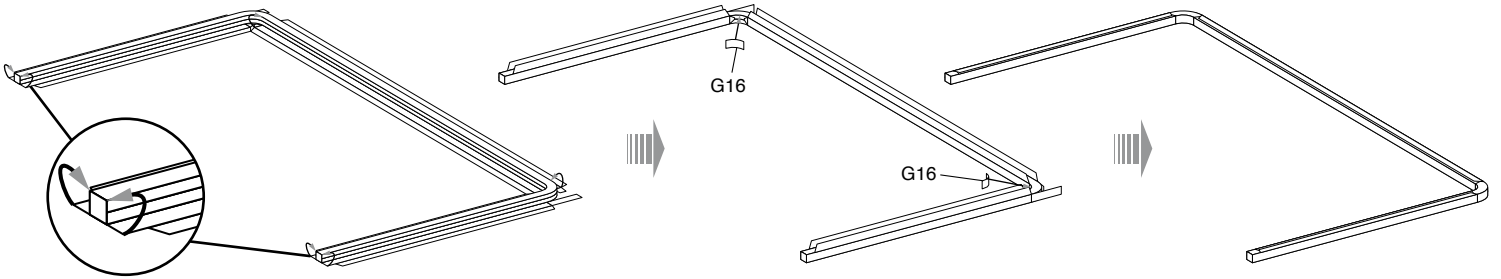
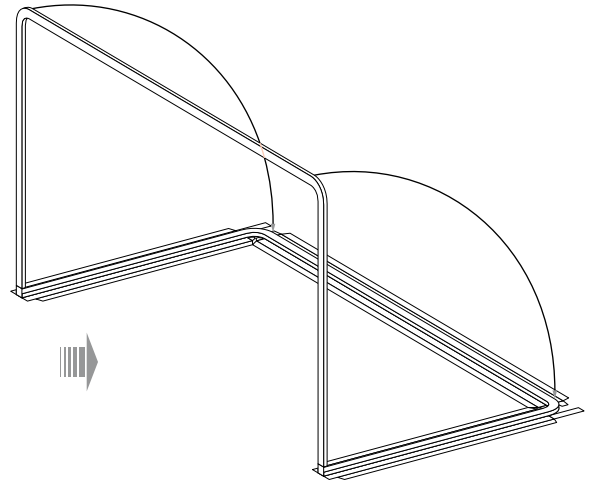
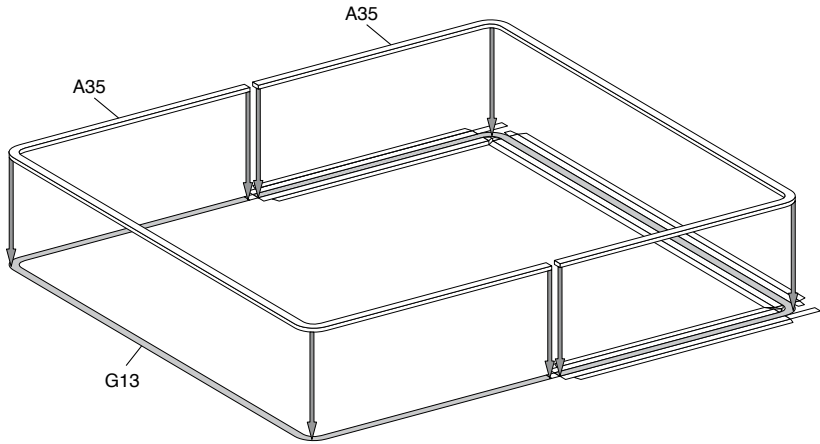
36



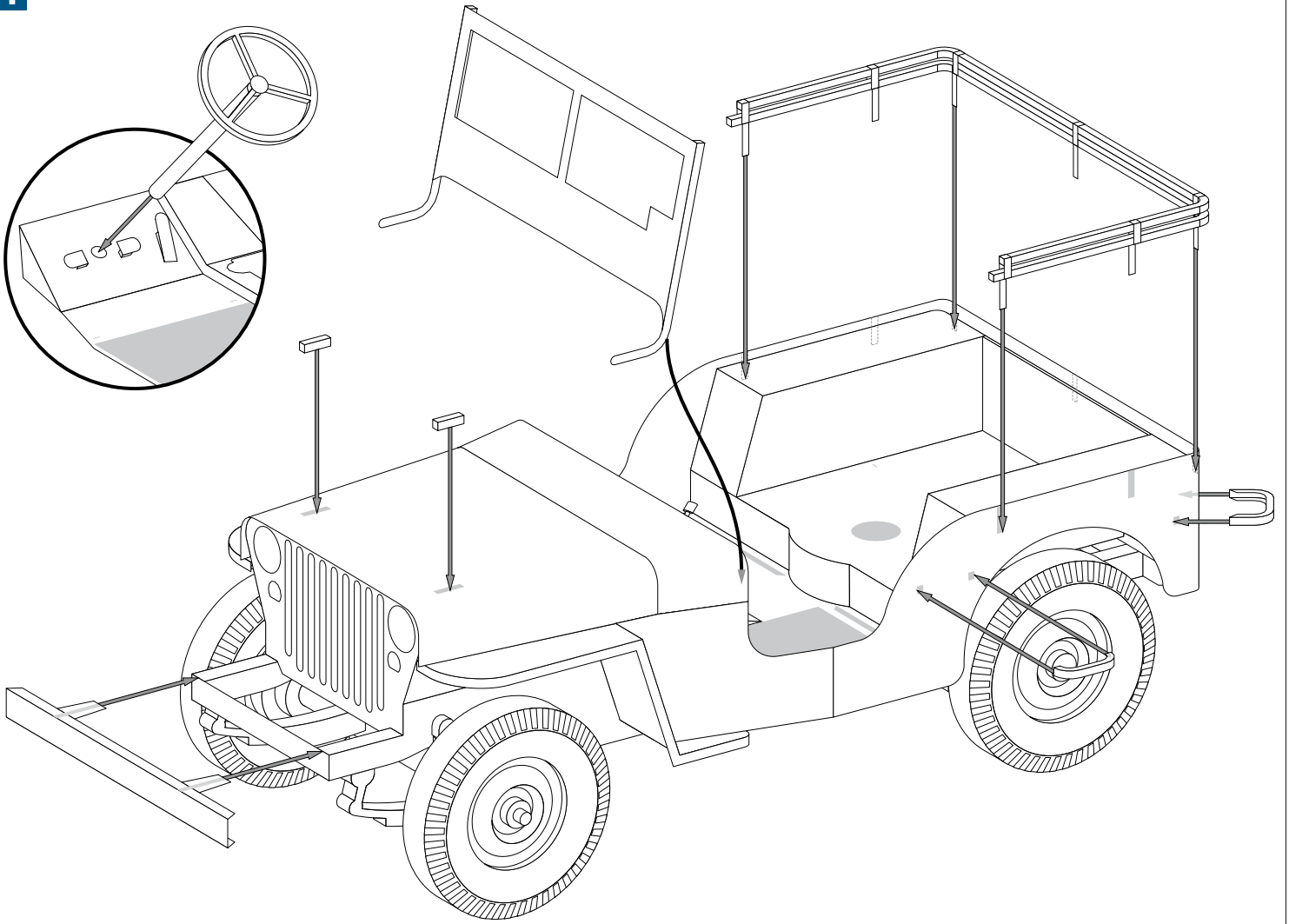
37



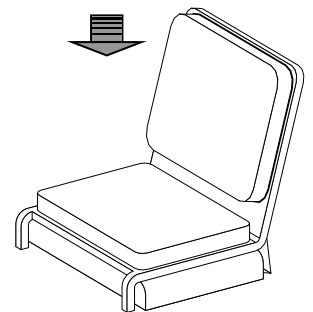
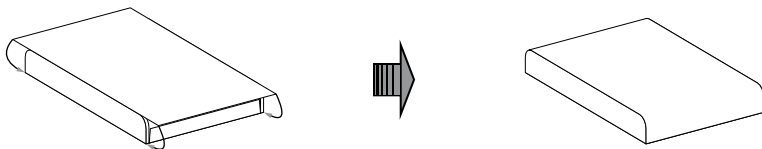
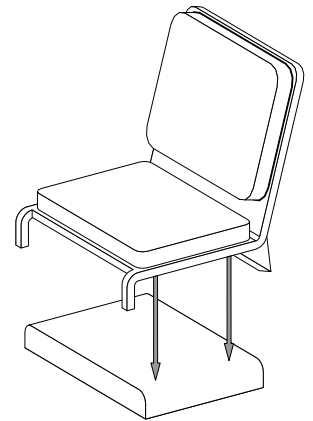
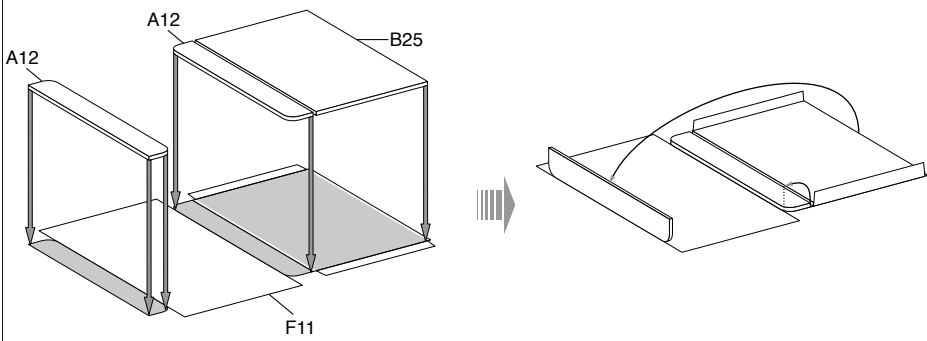


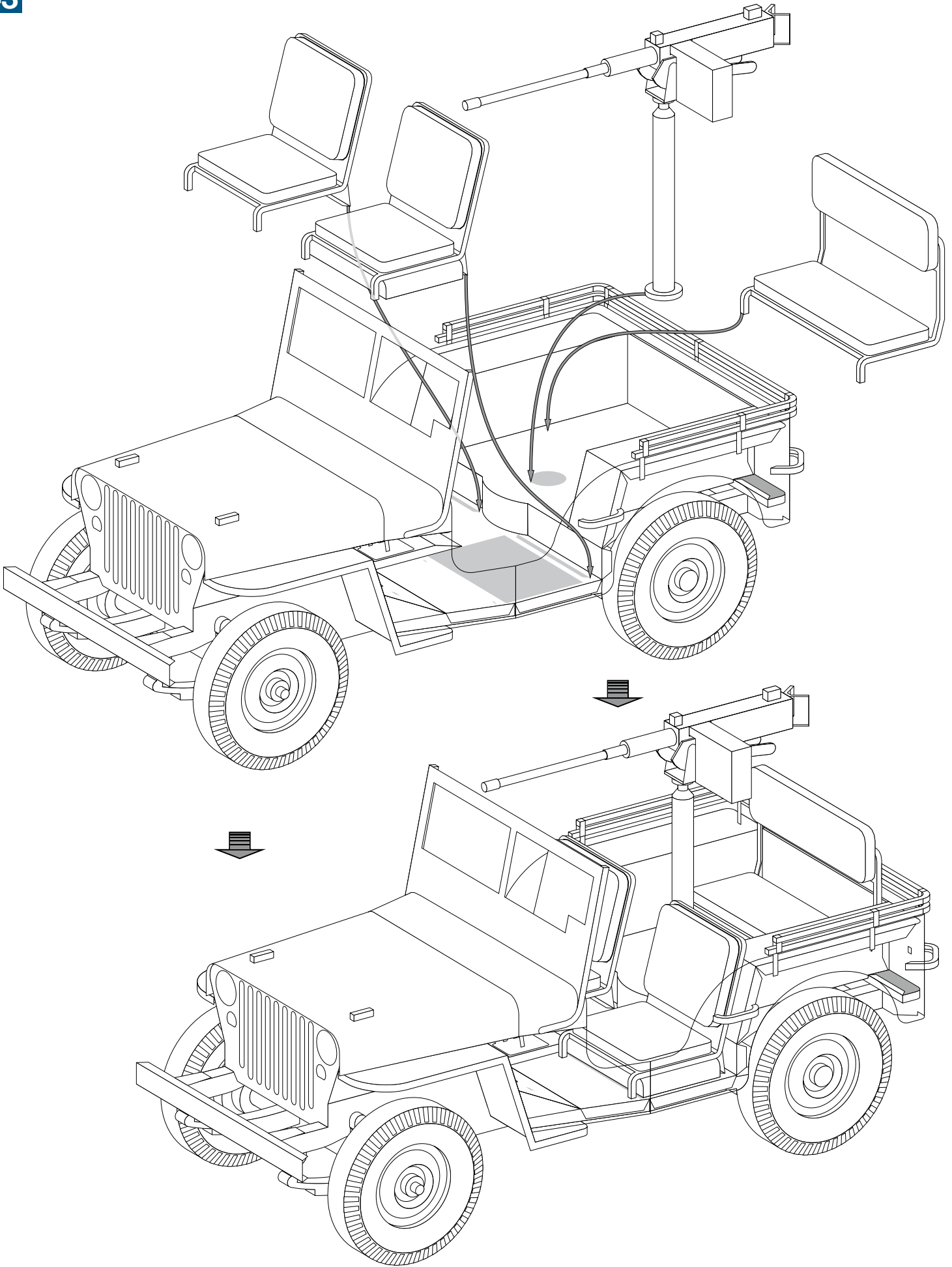


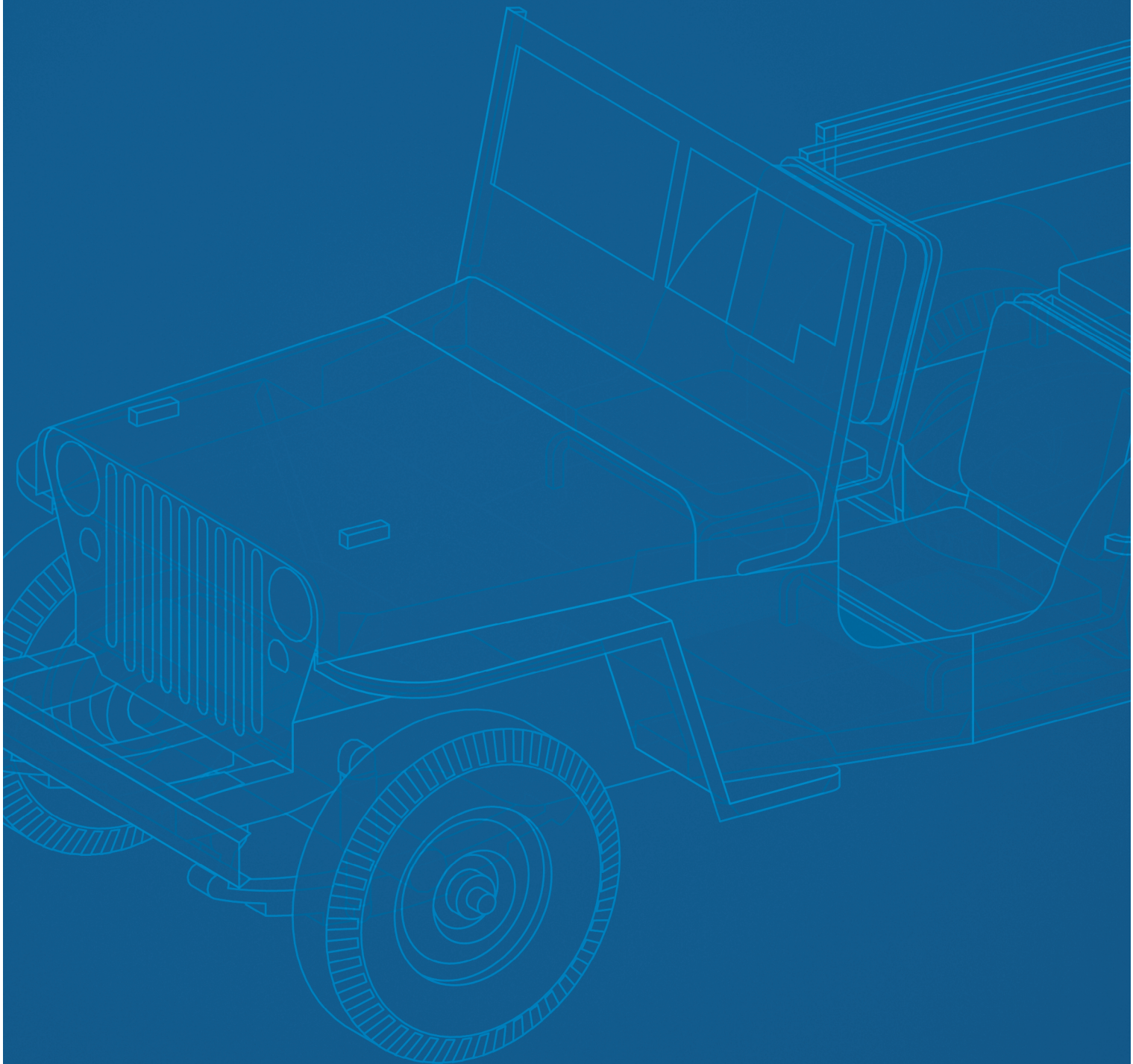
41



42







[joycraft.ca](http://joycraft.ca)